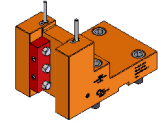


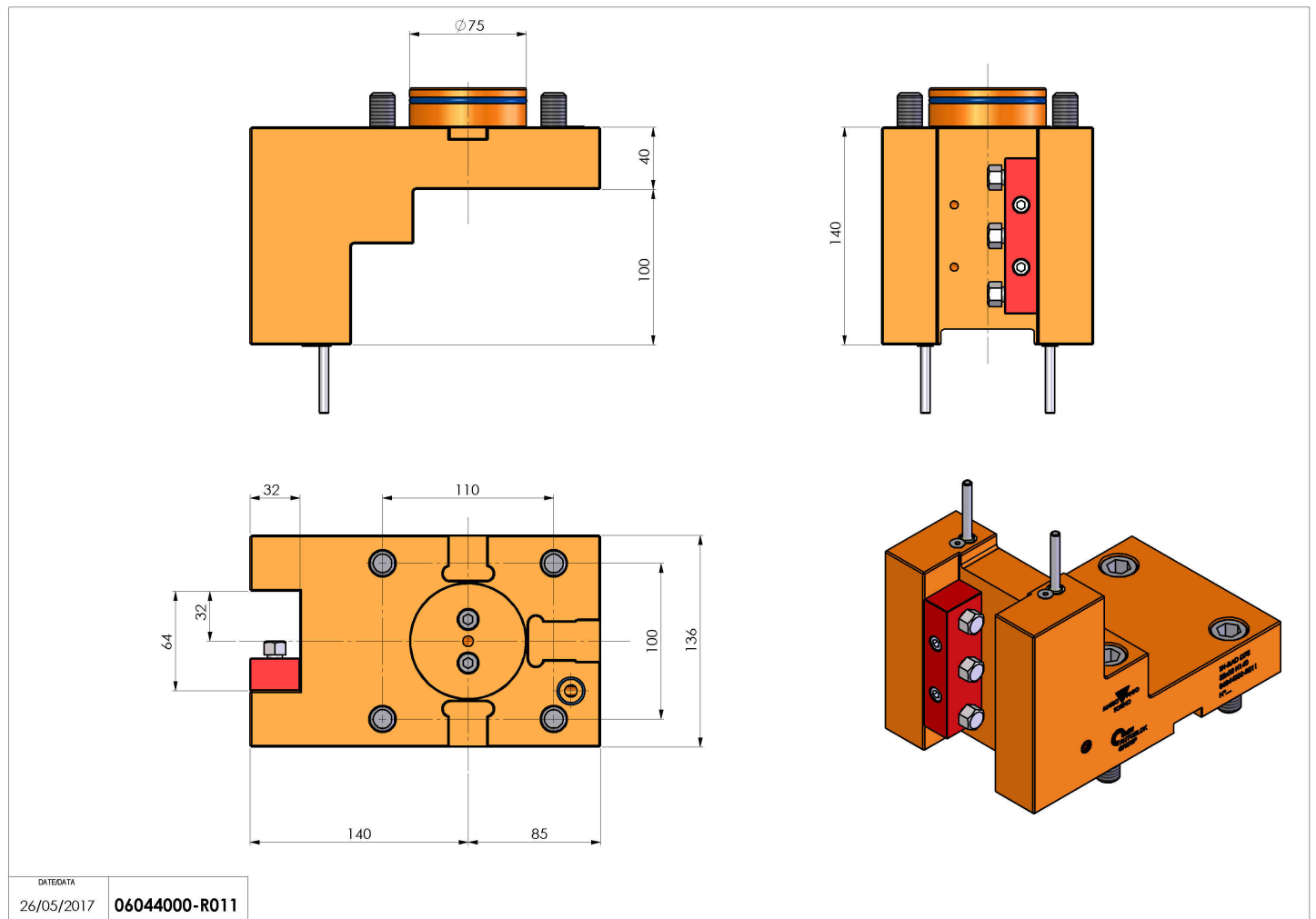
06044000 - TH-RAD D75 32X32 H140

Type	TH-RAD Radial Tool holder
Mounting	CYLINDRICAL SHANK 75
Tool output	Radial Square Tool Holder 32x32
Coolant	External coolant
H [mm]	140



Accessories	N.A.
Notes	N.A.
Mounting tips	Main spindle only

Always check live tool dimensions on the turret



Subject to technical changes