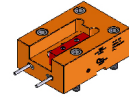


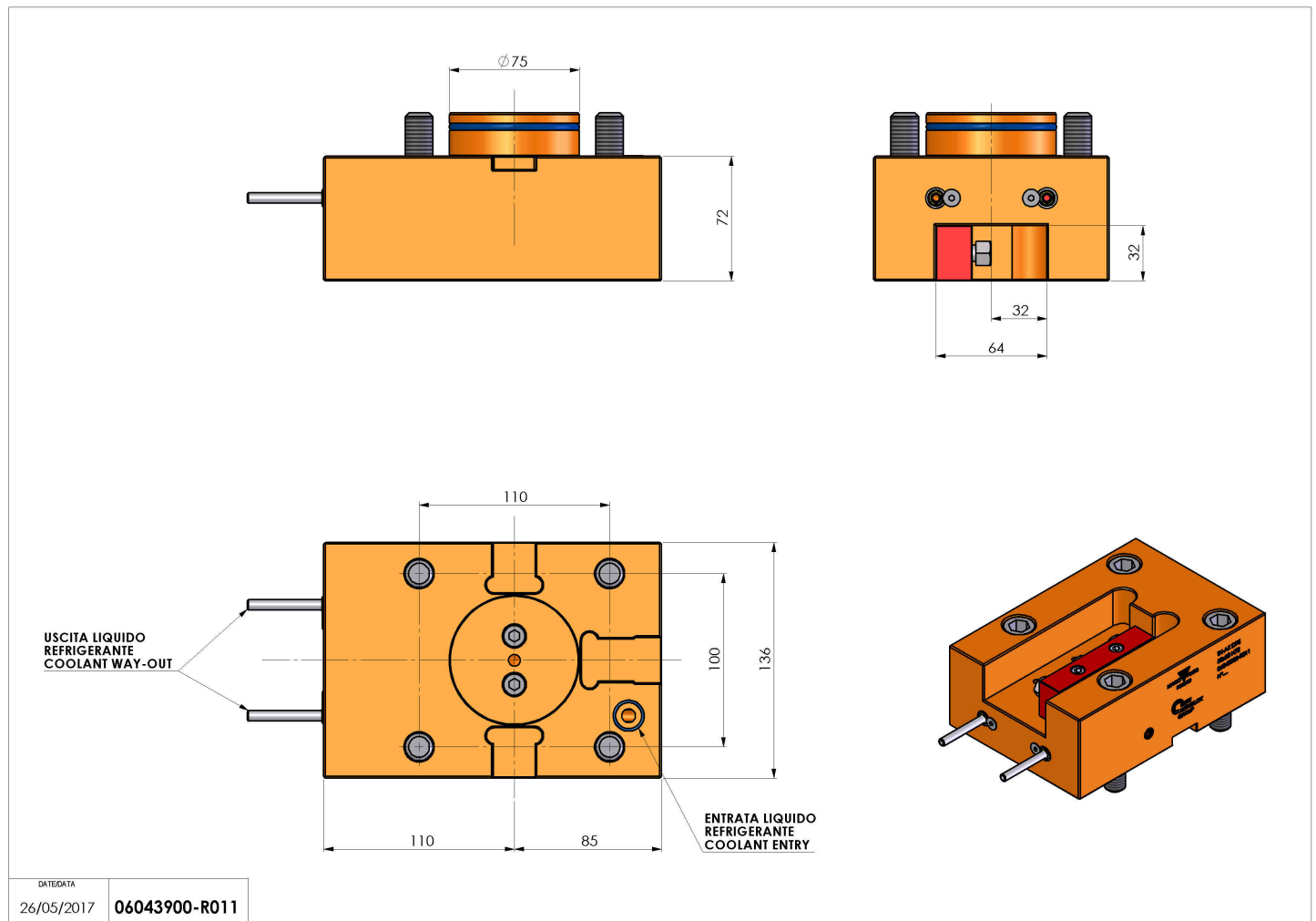
06043900 - TH-AX D75 32X32 H72

Type	TH-AX Axial Tool holder
Mounting	CYLINDRICAL SHANK 75
Tool output	Axial Square Tool Holder 32x32
Coolant	External coolant
H [mm]	72



Accessories	N.A.
Notes	N.A.
Mounting tips	Main spindle only

Always check live tool dimensions on the turret



DATE/DATE	26/05/2017
06043900-R011	

Subject to technical changes