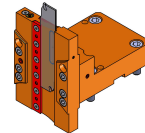
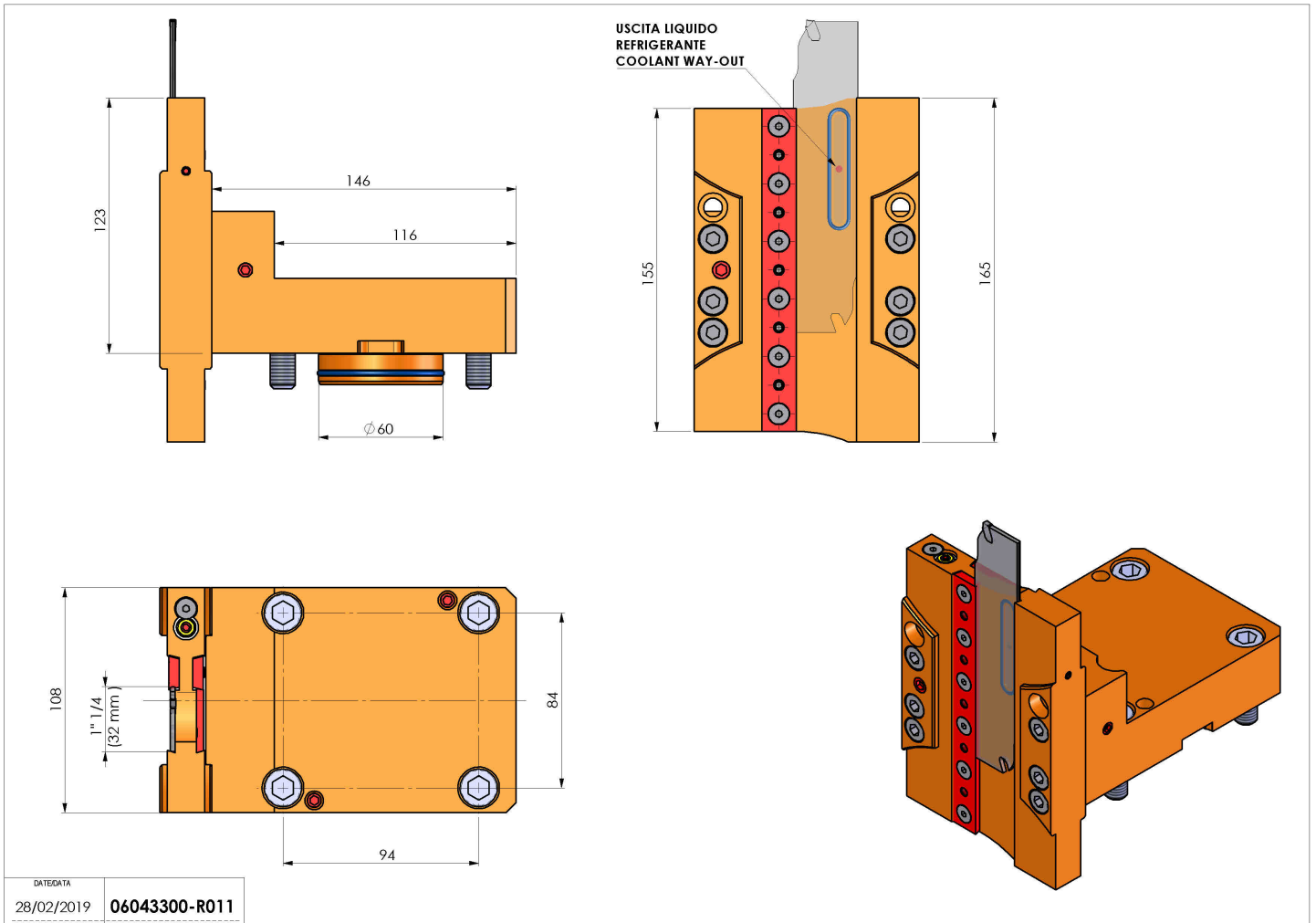


## 06043300 - TH-CUT D60 U1-1/4"(32)HRF H123

<b>Type</b>	TH-CUT Cutting holder
<b>Mounting</b>	CYLINDRICAL SHANK 60
<b>Tool output</b>	Cut Off Holder 1-1/4"(32)
<b>Coolant</b>	HRF Internal coolant
<b>H [mm]</b>	123
<b>Max pressure [bar]</b>	80
<b>Accessories</b>	N.A.
<b>Notes</b>	N.A.
<b>Mounting tips</b>	N.A.



Always check live tool dimensions on the turret



DATE/DATE	
28/02/2019	<b>06043300-R011</b>

**Subject to technical changes**