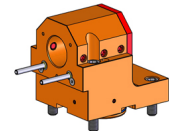


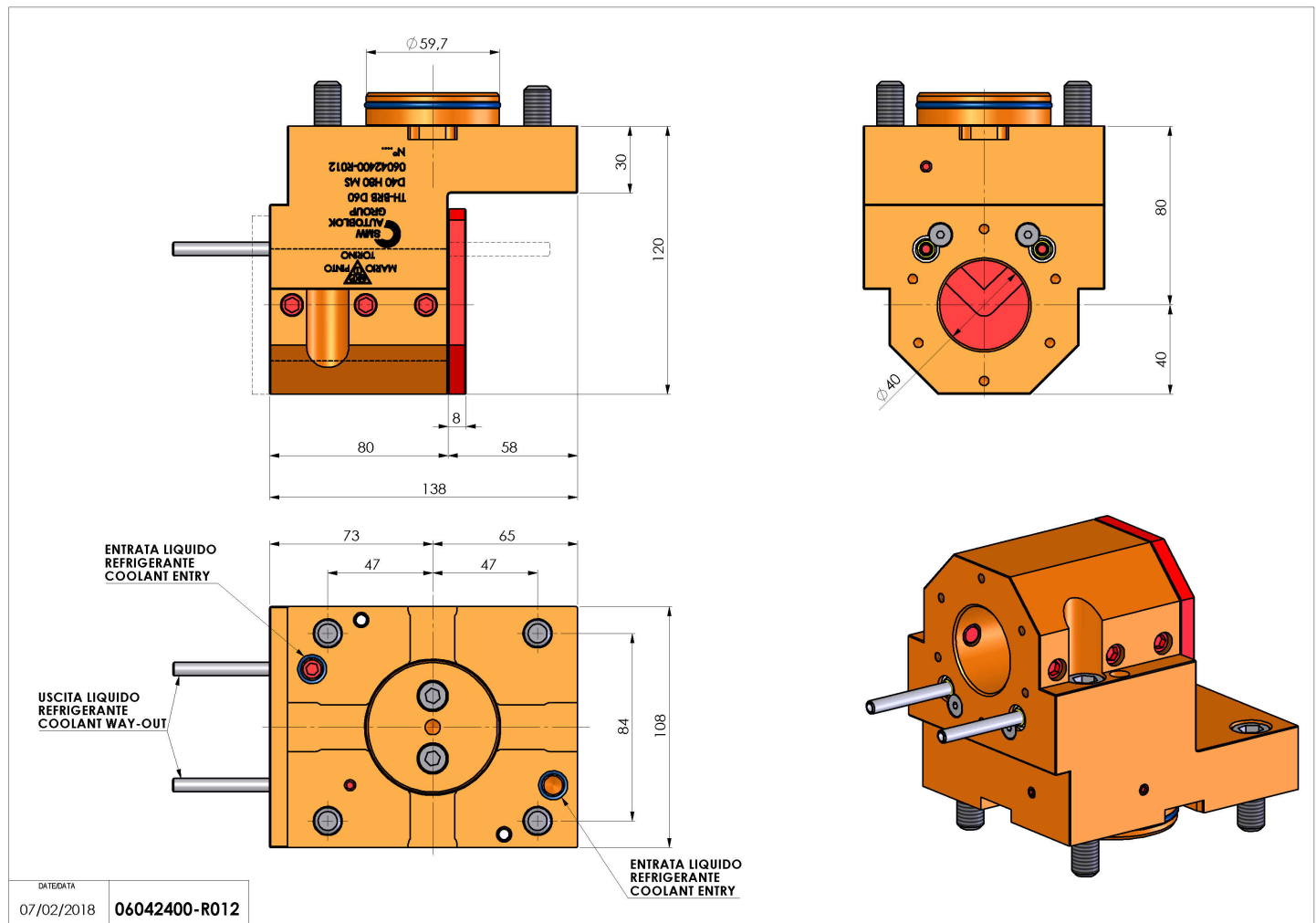
06042400 - TH-BRB D60 D40 H80 MS

Type	TH-BRB Boring bar holder
Mounting	CYLINDRICAL SHANK 60
Tool output	Boring Bar Holder 40
Coolant	External / Internal coolant
H [mm]	80



Accessories	N.A.
Notes	N.A.
Mounting tips	N.A.

Always check live tool dimensions on the turret



Subject to technical changes