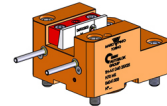


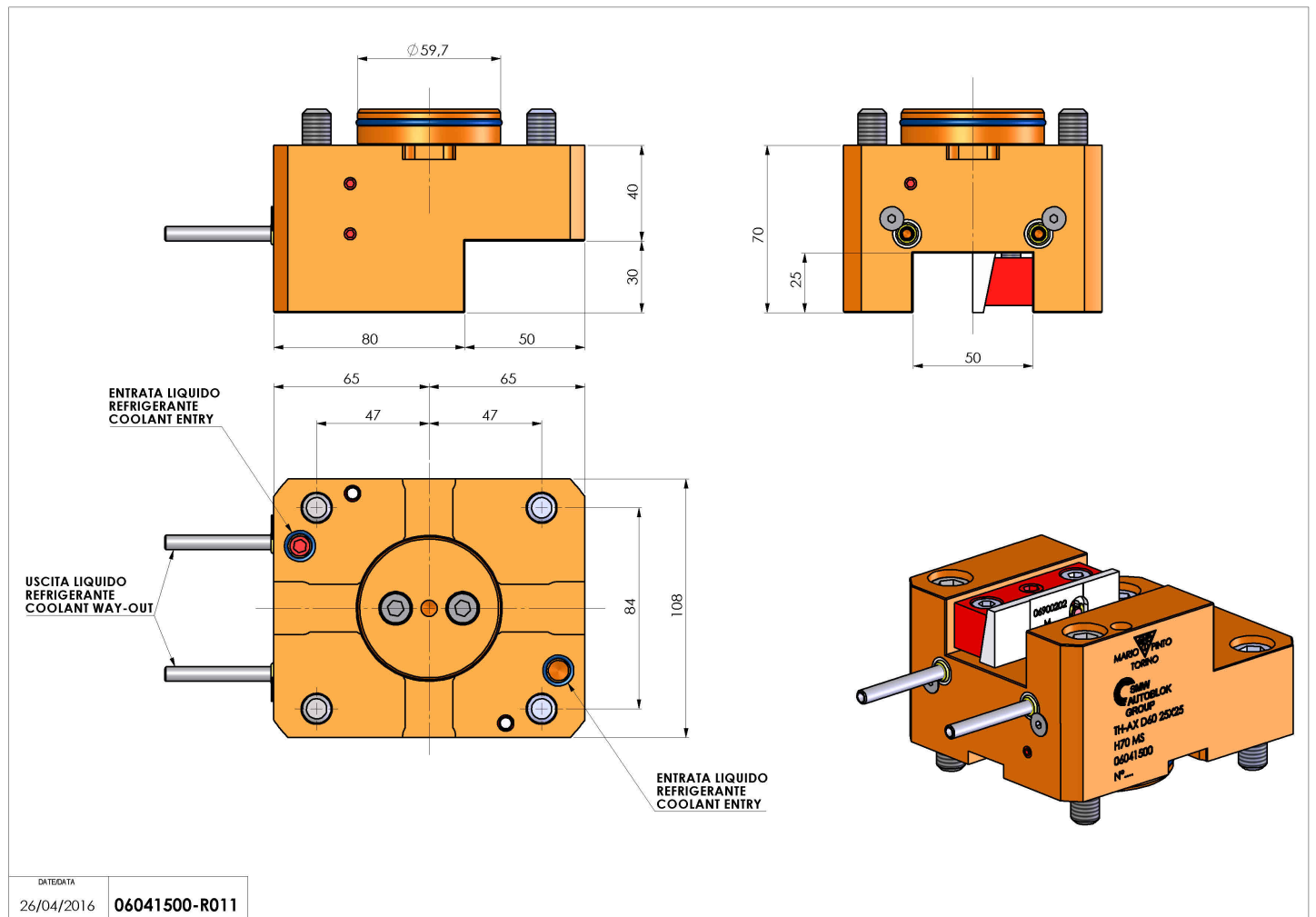
06041500 - TH-AX D60 25X25 H70 MS

Type	TH-AX Axial Tool holder
Mounting	CYLINDRICAL SHANK 60
Tool output	Axial Square Tool Holder 25x25
Coolant	External coolant
H [mm]	70



Accessories	N.A.
Notes	N.A.
Mounting tips	N.A.

Always check live tool dimensions on the turret



Subject to technical changes

DATE/DATE	26/04/2016	06041500-R011
-----------	------------	---------------