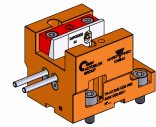


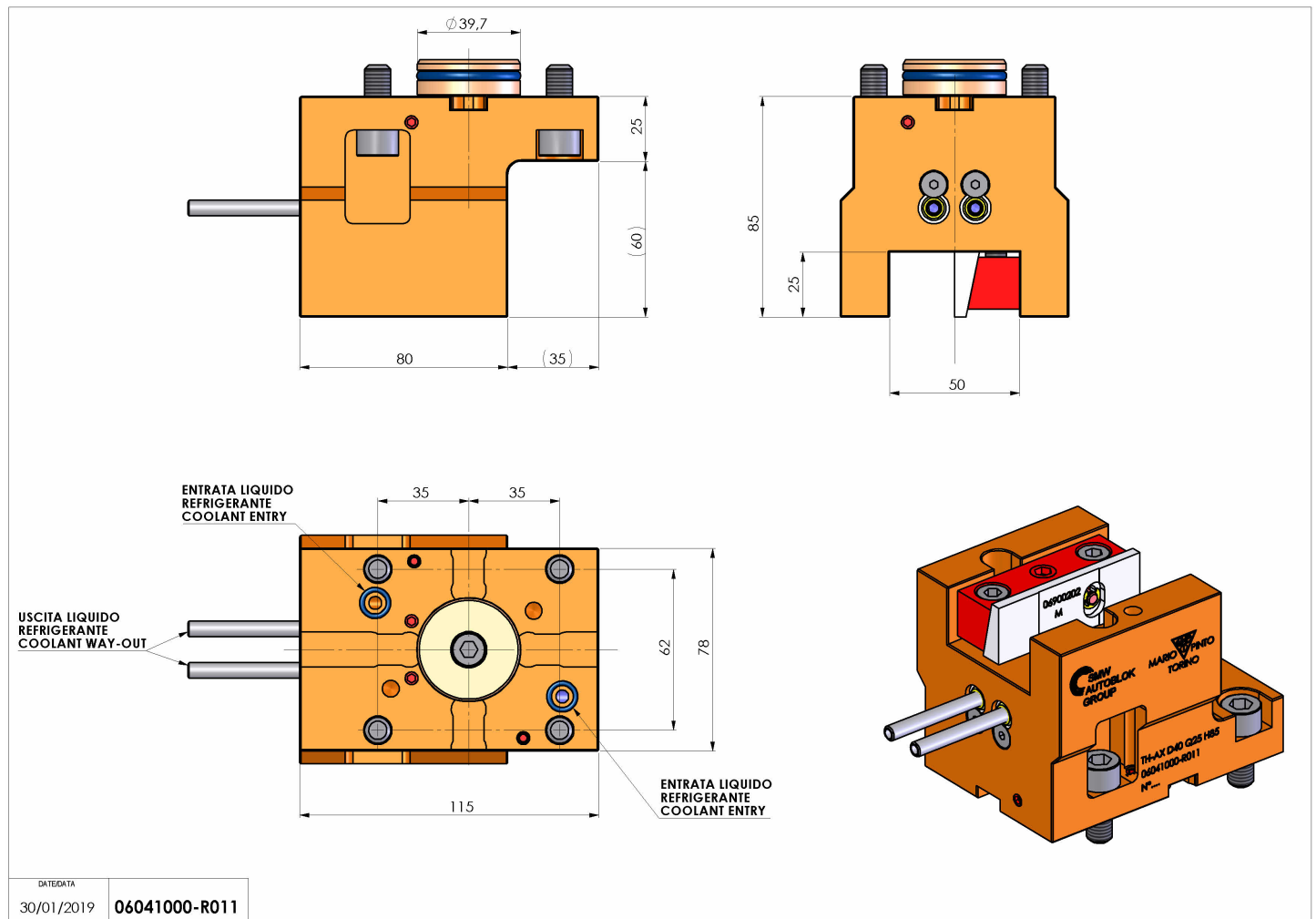
## 06041000 - TH-AX D40 Q25 H85

|                    |                                |
|--------------------|--------------------------------|
| <b>Type</b>        | TH-AX<br>Axial Tool holder     |
| <b>Mounting</b>    | CYLINDRICAL SHANK 40           |
| <b>Tool output</b> | Axial Square Tool Holder 25x25 |
| <b>Coolant</b>     | External coolant               |
| <b>H [mm]</b>      | 85                             |



|                      |      |
|----------------------|------|
| <b>Accessories</b>   | N.A. |
| <b>Notes</b>         | N.A. |
| <b>Mounting tips</b> | N.A. |

Always check live tool dimensions on the turret



|           |            |               |
|-----------|------------|---------------|
| DATE/DATE | 30/01/2019 | 06041000-R011 |
|-----------|------------|---------------|

Subject to technical changes