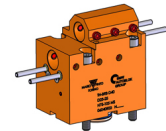


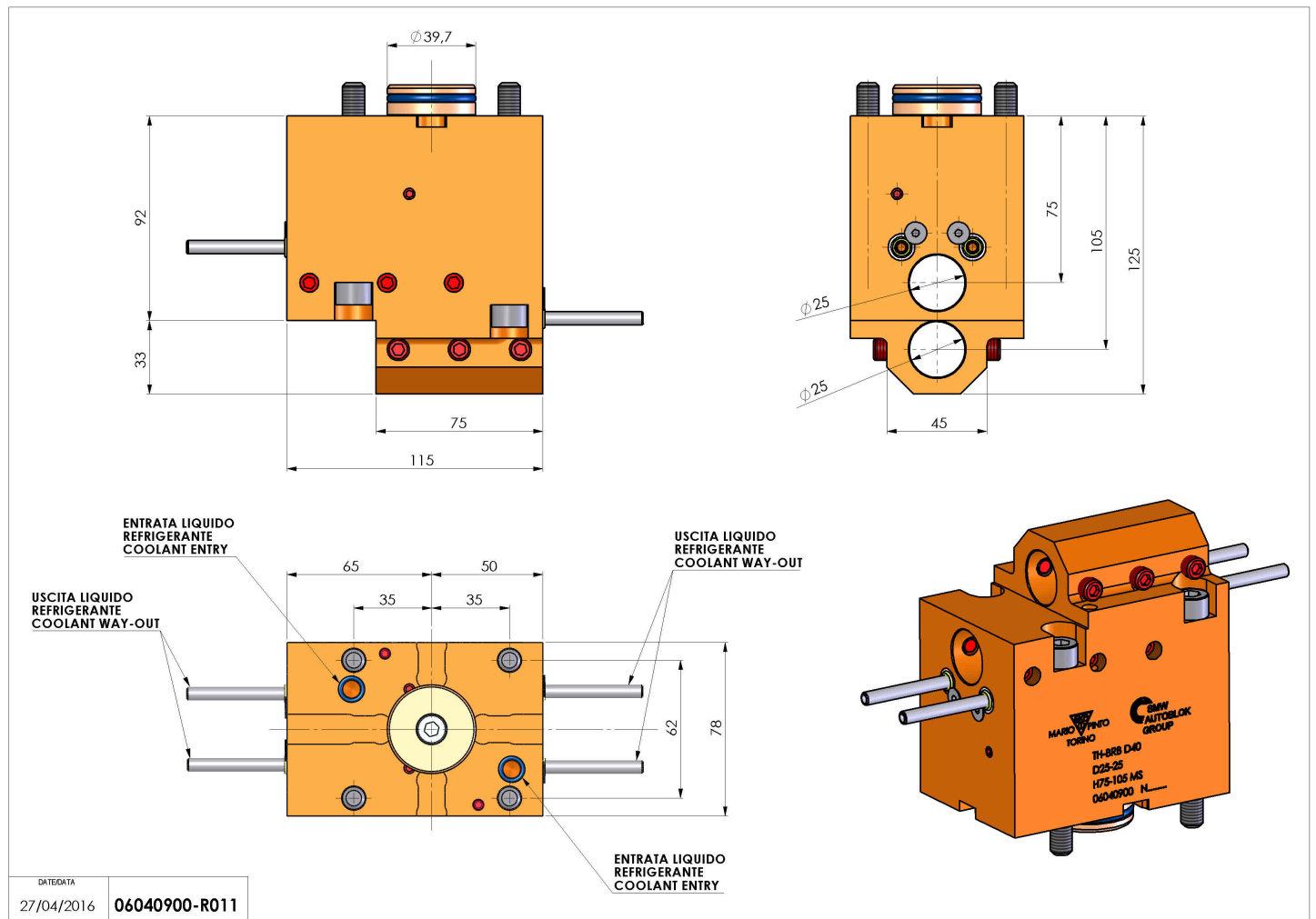
06040900 - TH-BRB D40 D25-25 H75-105 MS

Type	TH-BRB Boring bar holder
Mounting	CYLINDRICAL SHANK 40
Tool output	Boring Bar Holder 25
Coolant	External coolant
H [mm]	75-105



Accessories	N.A.
Notes	N.A.
Mounting tips	N.A.

Always check live tool dimensions on the turret



DATE/DATE	06040900-R011
27/04/2016	

Subject to technical changes