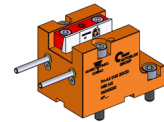


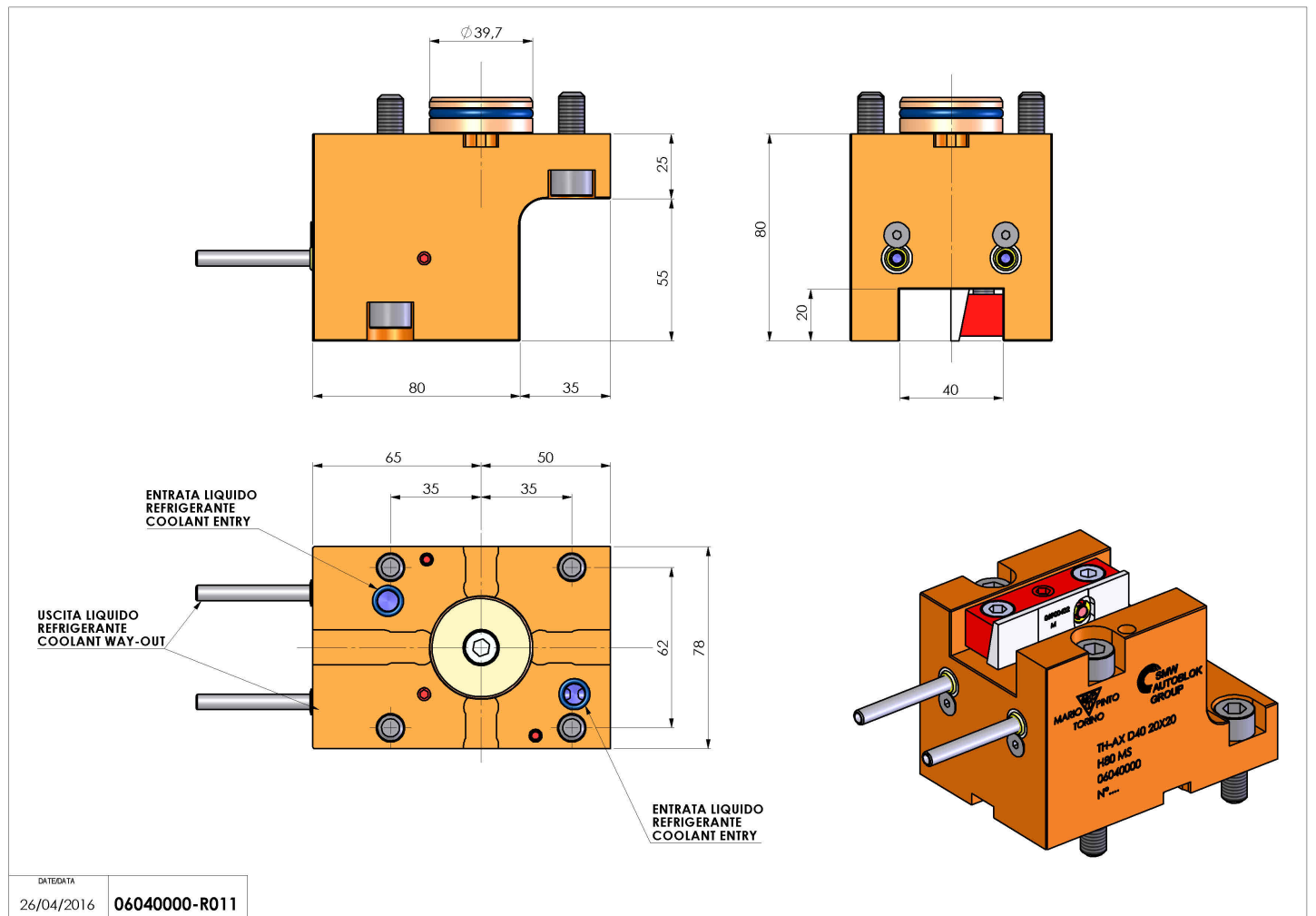
## 06040000 - TH-AX D40 20X20 H80 MS

Type	TH-AX Axial Tool holder
Mounting	CYLINDRICAL SHANK 40
Tool output	Axial Square Tool Holder 20x20
Coolant	External coolant
H [mm]	80



Accessories	N.A.
Notes	N.A.
Mounting tips	N.A.

Always check live tool dimensions on the turret



DATE/DATE	06040000-R011
26/04/2016	

Subject to technical changes