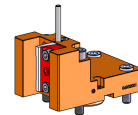


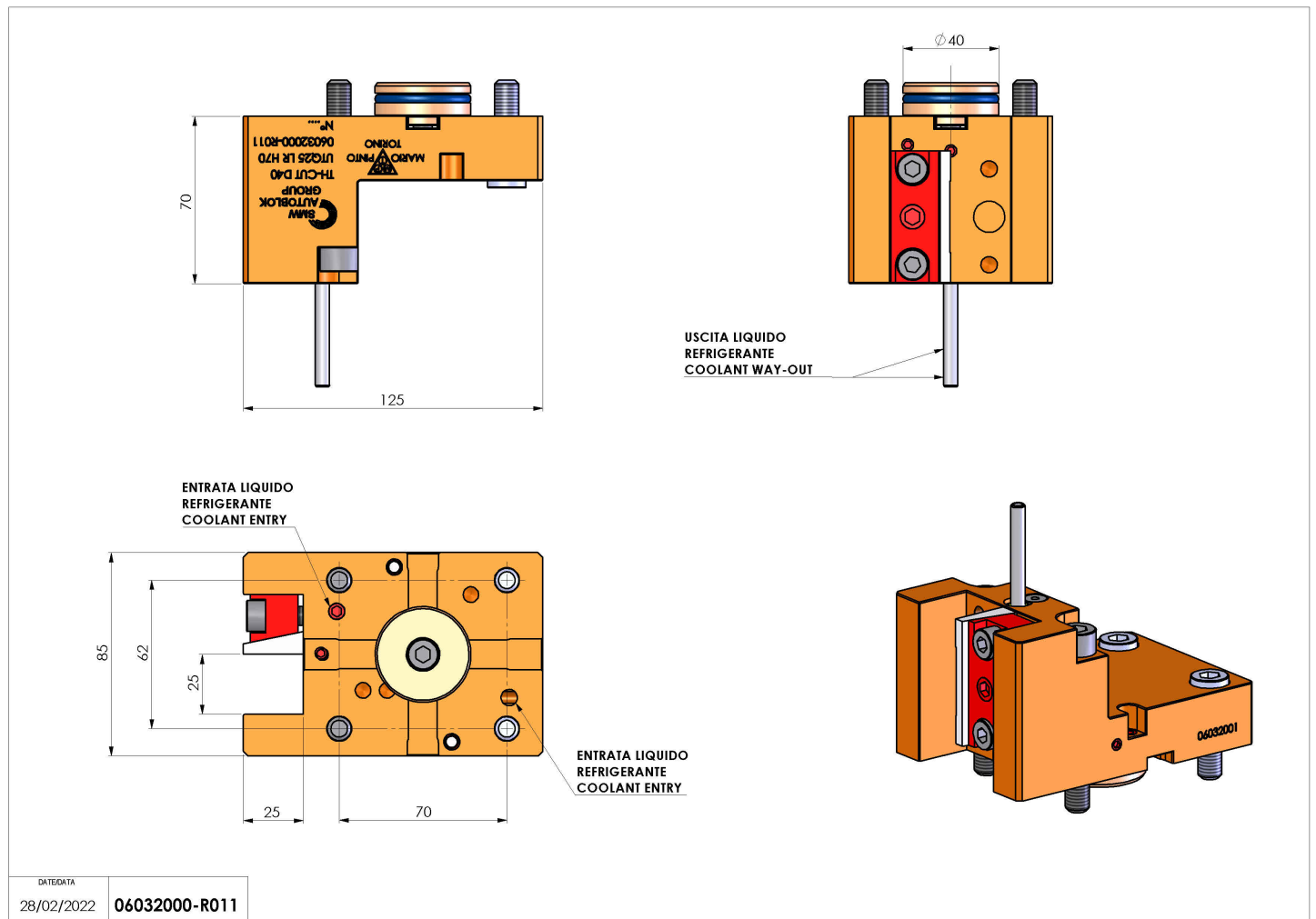
# 06032000 - TH-CUT D40 UTQ25 LR H70

Type	TH-CUT Cutting holder
Mounting	CYLINDRICAL SHANK 40
Tool output	Axial Square Tool Holder 25x25
Coolant	External coolant
H [mm]	70



Accessories	N.A.
Notes	N.A.
Mounting tips	N.A.

Always check live tool dimensions on the turret



DATE/ATA	28/02/2022	06032000-R011
----------	------------	---------------

Subject to technical changes