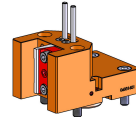


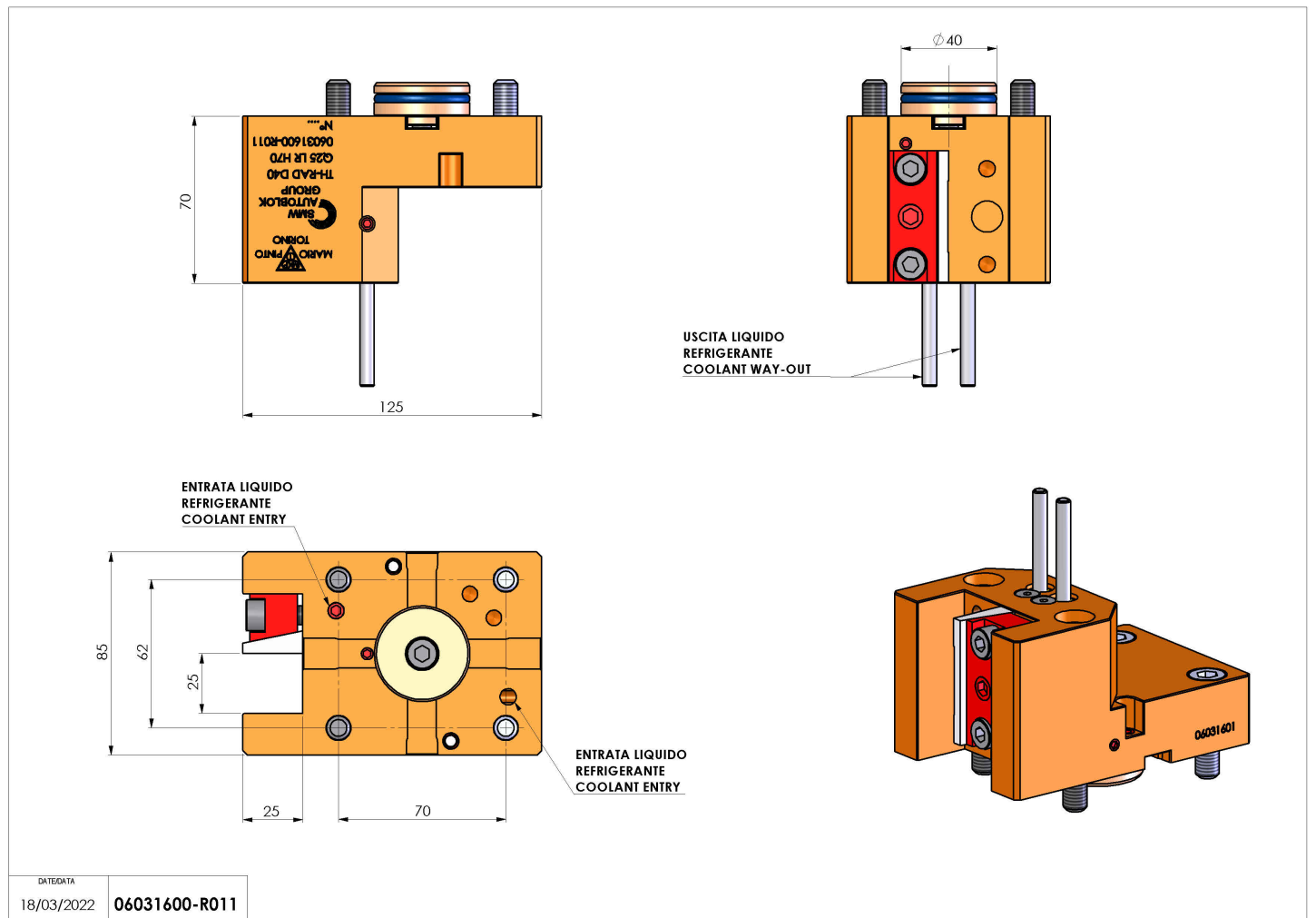
# 06031600 - TH-RAD D40 Q25 LR H70

Type	TH-RAD Radial Tool holder
Mounting	CYLINDRICAL SHANK 40
Tool output	Axial Square Tool Holder 25x25
Coolant	External coolant
H [mm]	70



Accessories	N.A.
Notes	N.A.
Mounting tips	N.A.

Always check live tool dimensions on the turret



DATE/DATE	18/03/2022	06031600-R011
-----------	------------	---------------

Subject to technical changes