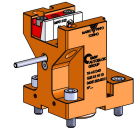


# 06031500 - TH-AX D40 Q25 LR H110

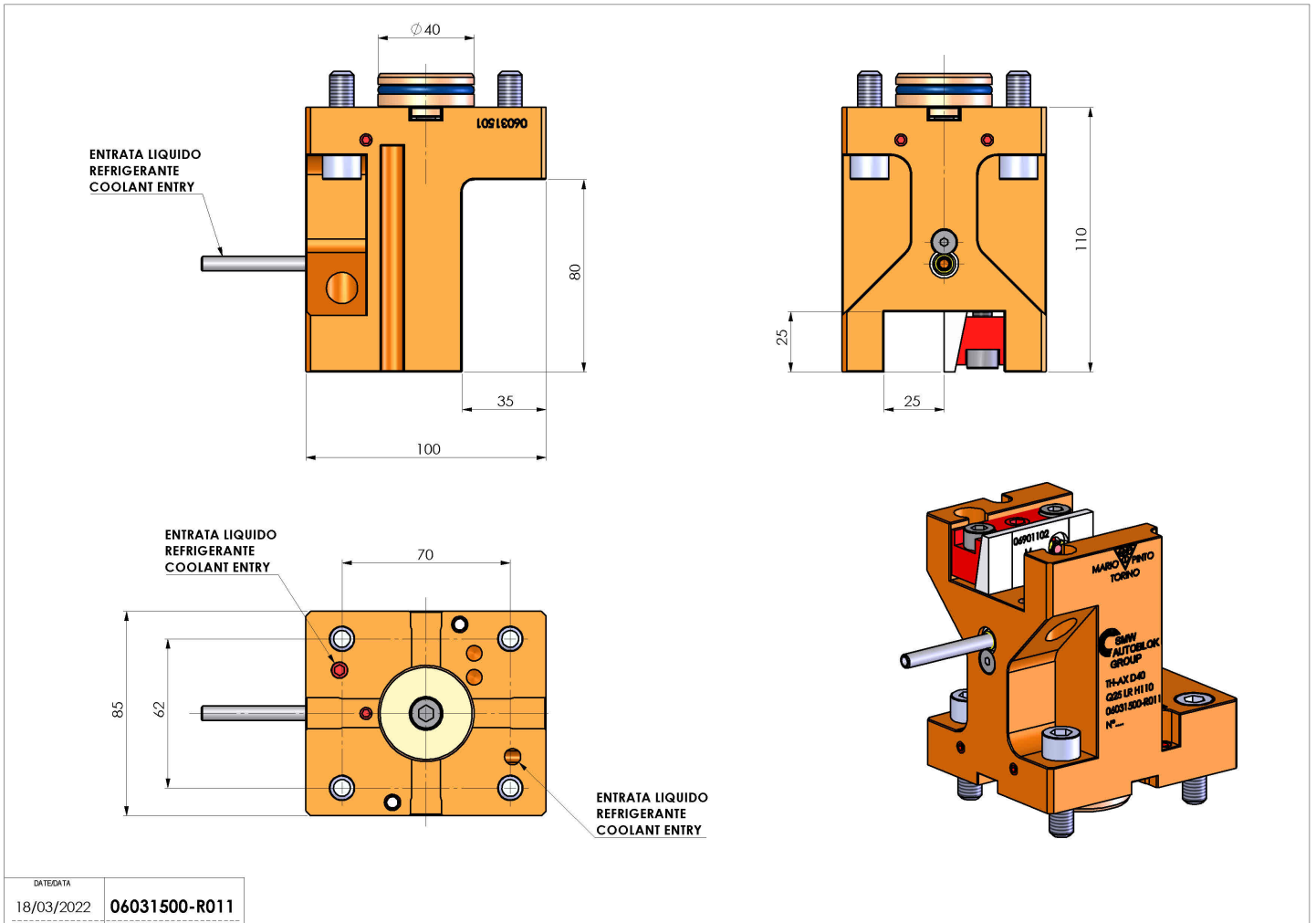
<b>Type</b>	TH-AX Axial Tool holder
<b>Mounting</b>	CYLINDRICAL SHANK 40
<b>Tool output</b>	Axial Square Tool Holder 25x25
<b>Coolant</b>	External coolant
<b>H [mm]</b>	110

<b>Accessories</b>	N.A.
<b>Notes</b>	N.A.
<b>Mounting tips</b>	N.A.



Always check live tool dimensions on the turret



DATE/DATE	18/03/2022
PART NUMBER	06031500-R011

Subject to technical changes