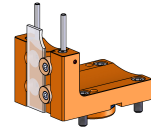


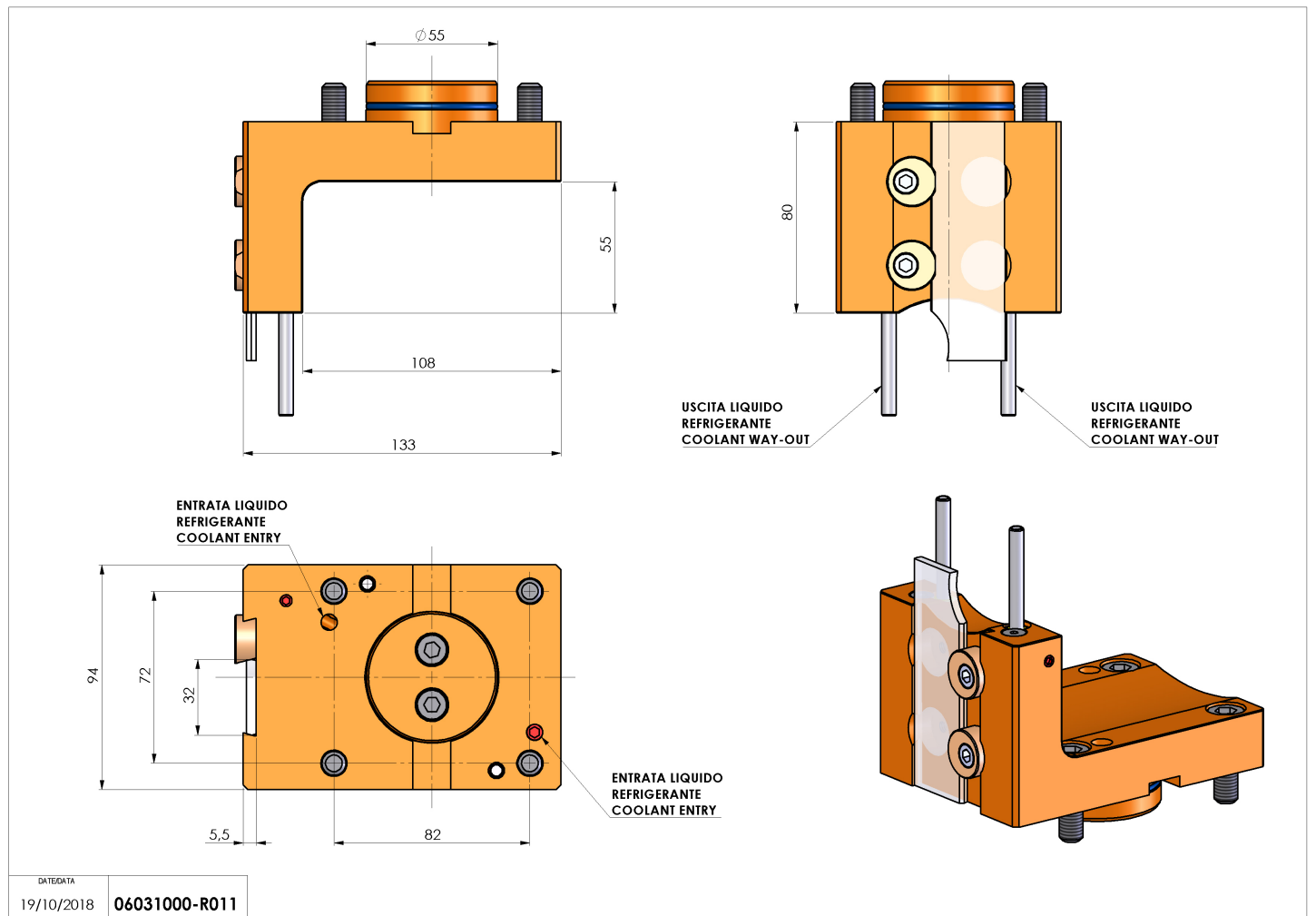
## 06031000 - TH-CUT D55 UT1-1/4" (32)

Type	TH-CUT Cutting holder
Mounting	CYLINDRICAL SHANK 55
Tool output	Cut Off Holder 1-1/4"(32)
Coolant	External coolant
H [mm]	80



Accessories	N.A.
Notes	N.A.
Mounting tips	N.A.

Always check live tool dimensions on the turret



Subject to technical changes