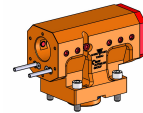


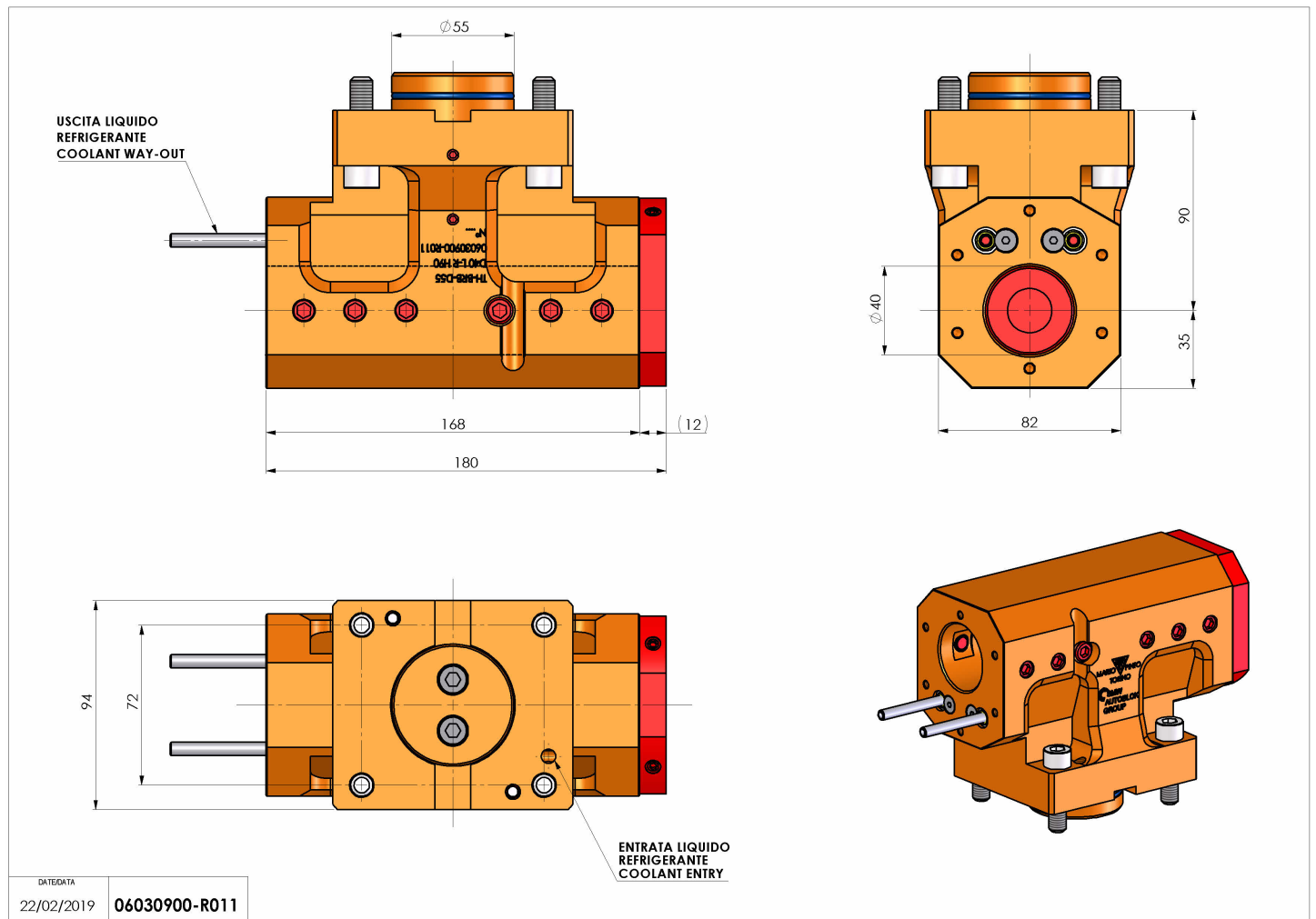
# 06030900 - TH-BRB D55 D40 L-R H90

Type	TH-BRB Boring bar holder
Mounting	CYLINDRICAL SHANK 55
Tool output	Boring Bar Holder 40
Coolant	External / Internal coolant
H [mm]	90



Accessories	N.A.
Notes	N.A.
Mounting tips	N.A.

Always check live tool dimensions on the turret



Subject to technical changes