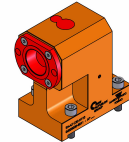
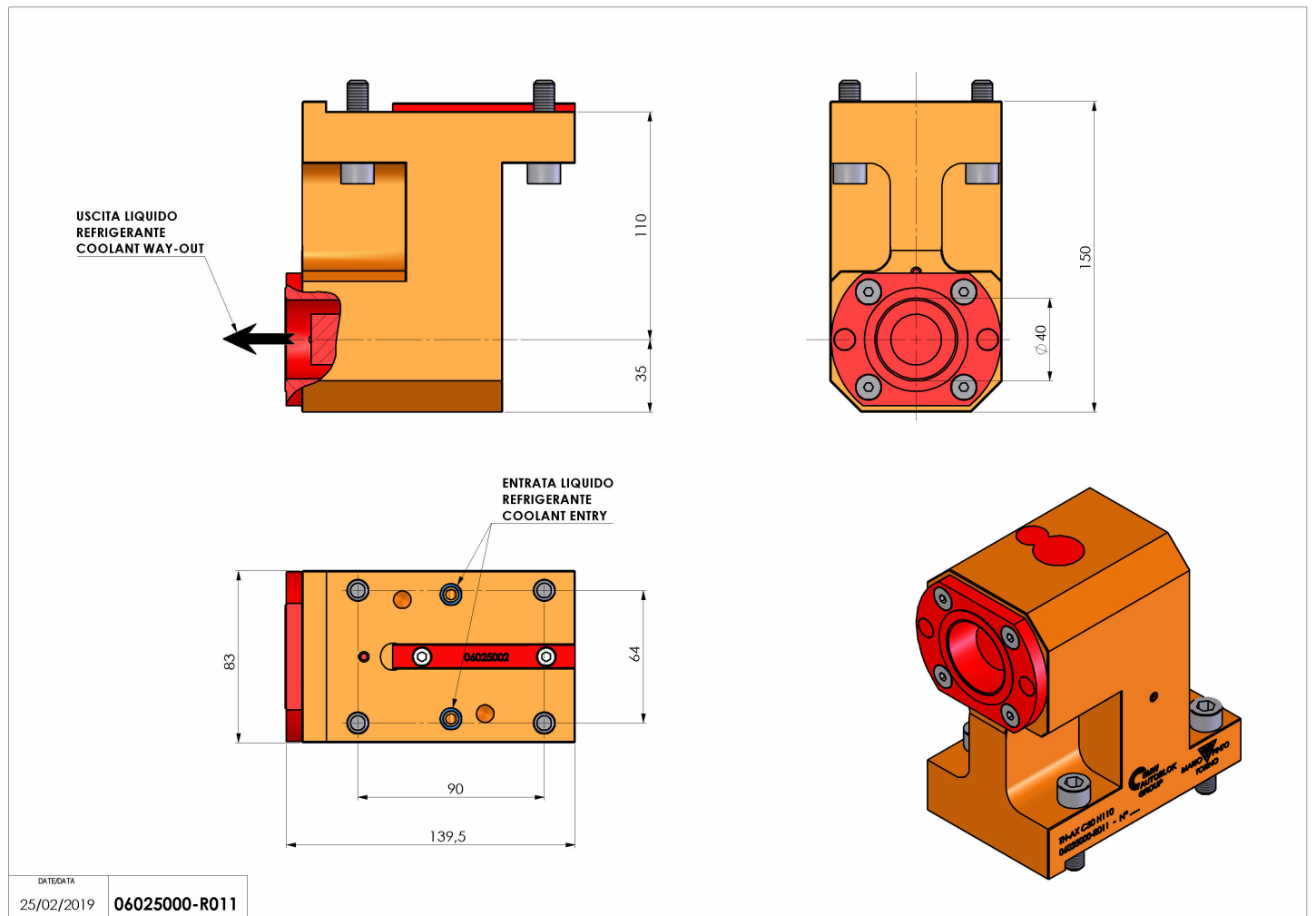


06025000 - TH-AX C50 H110

| | |
|----------------------|---------------------------------|
| Type | TH-BRB Boring bar holder |
| Mounting | TAKAMAZ FIXING ATTACK |
| Tool output | Polygonal shank C50 ISO 26623-1 |
| Coolant | External / Internal coolant |
| H [mm] | 110 |
| Accessories | N.A. |
| Notes | N.A. |
| Mounting tips | N.A. |



Always check live tool dimensions on the turret



Subject to technical changes