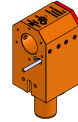


## 06020300 - TH-BRB VDI40 D40 H110

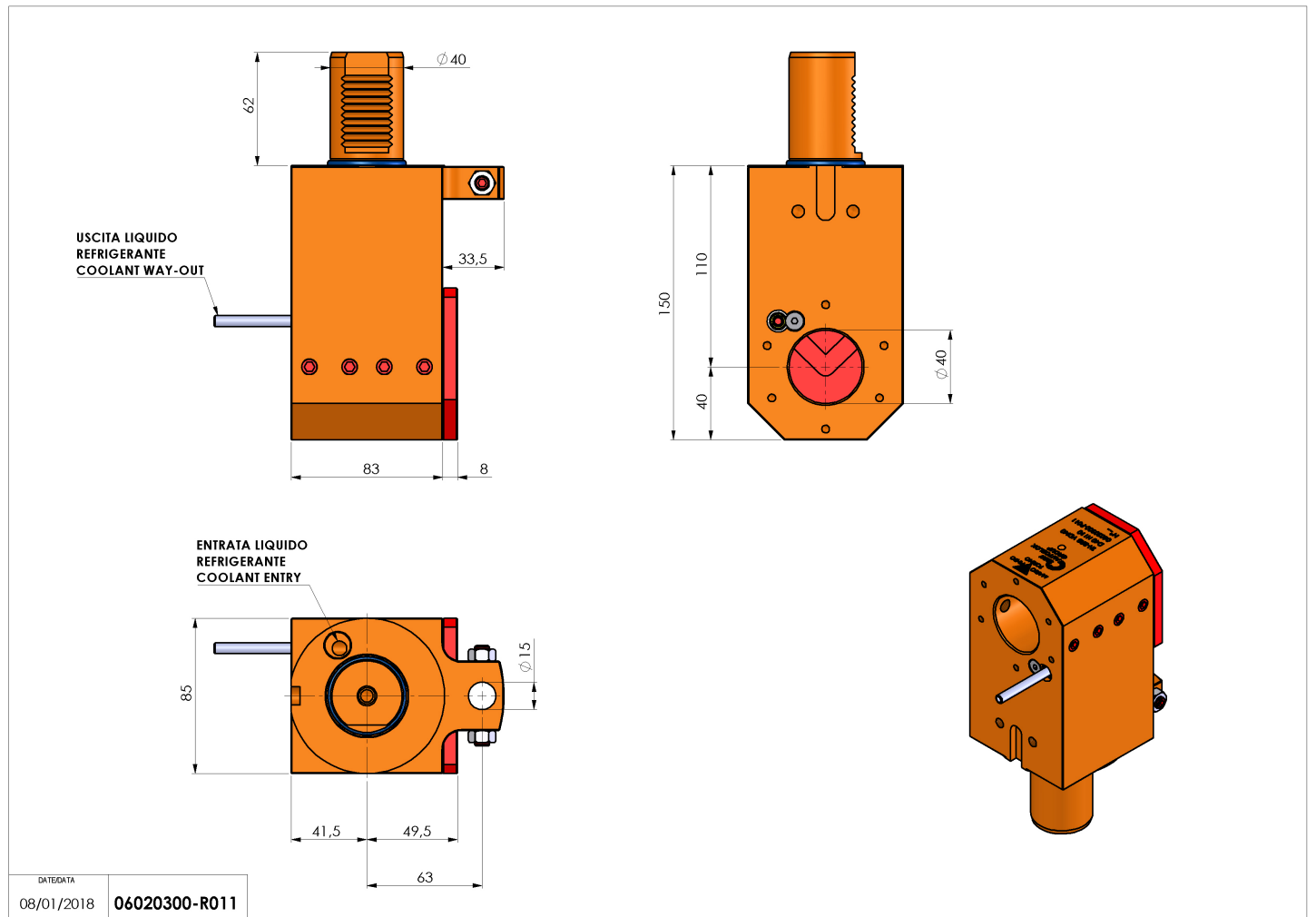
Type	TH-BRB Boring bar holder
Mounting	VDI 40
Tool output	Boring Bar Holder 40
Coolant	External / Internal coolant
H [mm]	110



Accessories	N.A.
Notes	N.A.
Mounting tips	N.A.

**ATTENTION: CHECK THE ORIENTATION OF THE VDI TEETH**

Always check live tool dimensions on the turret



Subject to technical changes