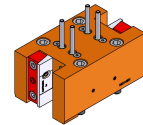


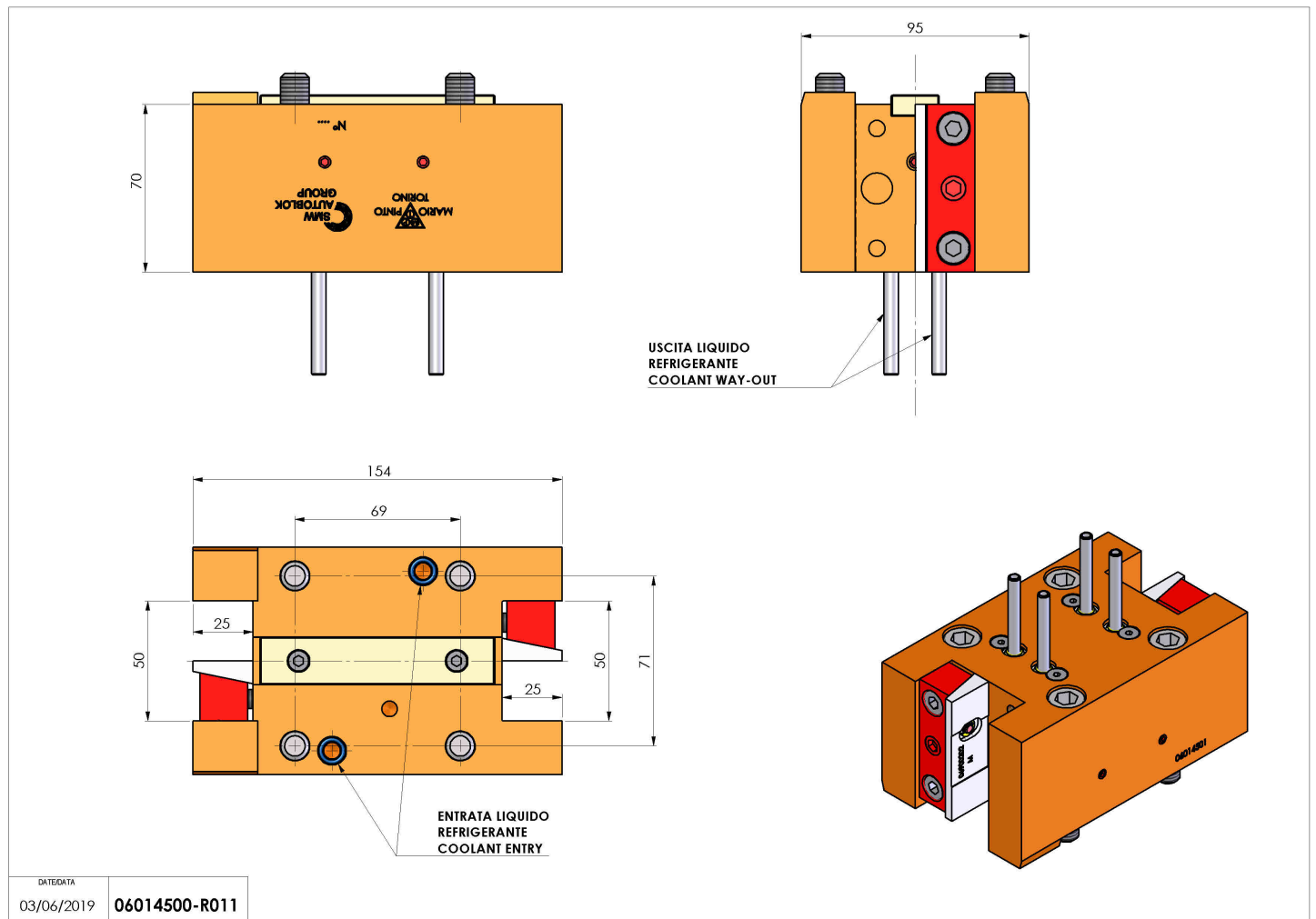
06014500 - TH-RAD D65 2P Q25 H70

Type	TH-RAD Radial Tool holder
Mounting	CYLINDRICAL SHANK 65
Tool output	Radial Square Tool Holder 25x25
Coolant	External coolant
H [mm]	70



Accessories	N.A.
Notes	N.A.
Mounting tips	N.A.

Always check live tool dimensions on the turret



DATE/DATE	03/06/2019	06014500-R011
-----------	------------	---------------

Subject to technical changes