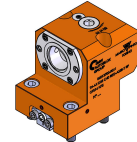


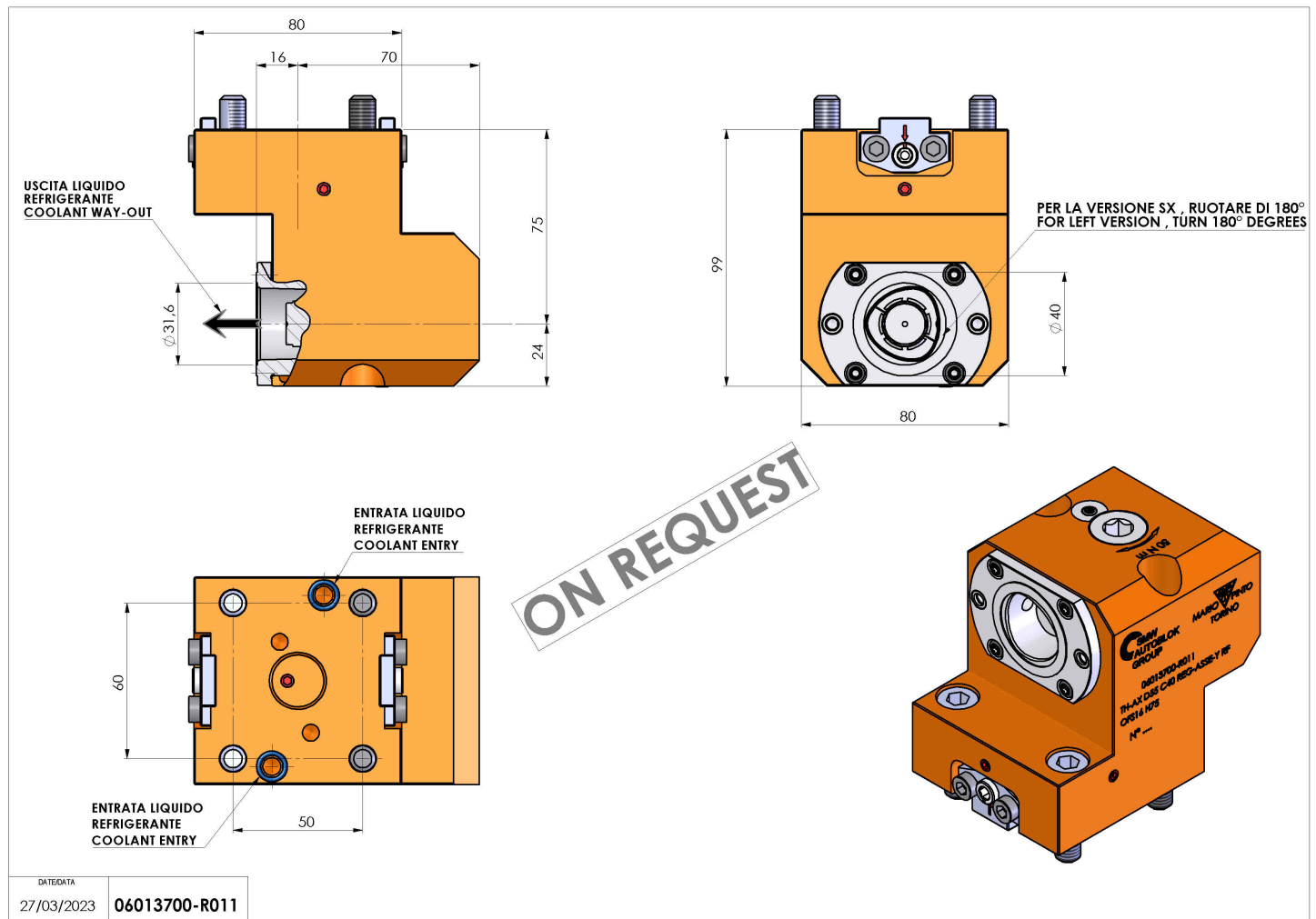
06013700 - TH-AX D55 C40 REG-ASSE-Y RF OFS16 H75

Type	TH-AX Axial Tool holder
Mounting	CYLINDRICAL SHANK 55
Tool output	Polygonal shank C40 ISO 26623-1
Coolant	Internal coolant
H [mm]	75
Accessories	N.A.
Notes	N.A.
Mounting tips	N.A.



ON REQUEST

Always check live tool dimensions on the turret



DATE/DATE	
27/03/2023	06013700-R011

Subject to technical changes