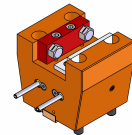
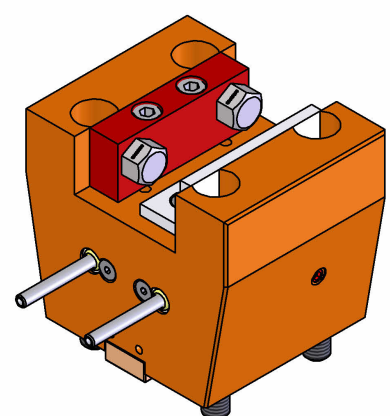
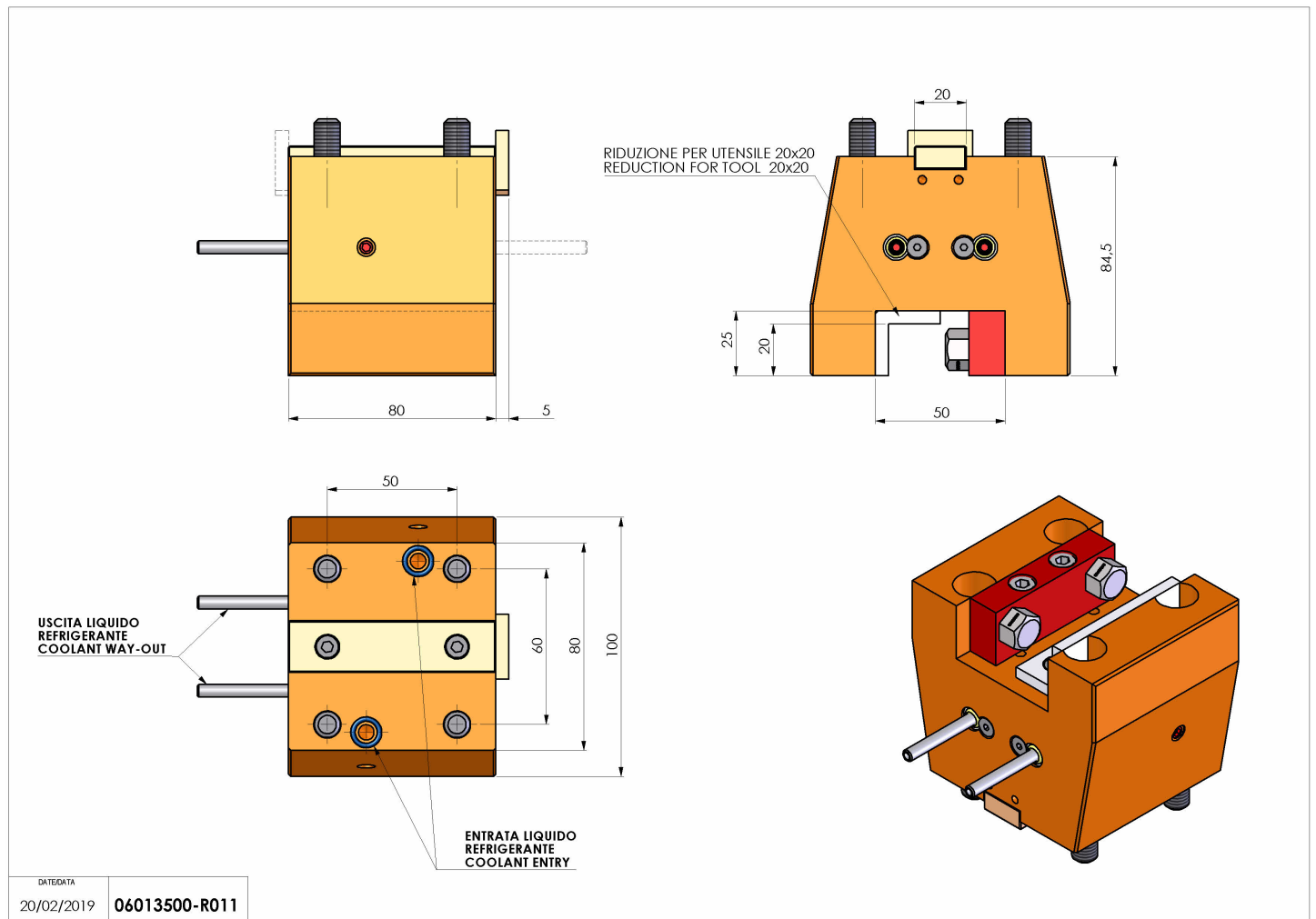


06013500 - TH-AX D55 Q25 H84.5 NK

Type	TH-AX Axial Tool holder
Mounting	CYLINDRICAL SHANK 55
Tool output	Axial Square Tool Holder 25x25
Coolant	External coolant
H [mm]	84,5
Accessories	N.A.
Notes	N.A.
Mounting tips	N.A.



Always check live tool dimensions on the turret



DATE/DATE	20/02/2019	06013500-R011
-----------	------------	---------------

Subject to technical changes