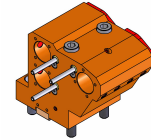


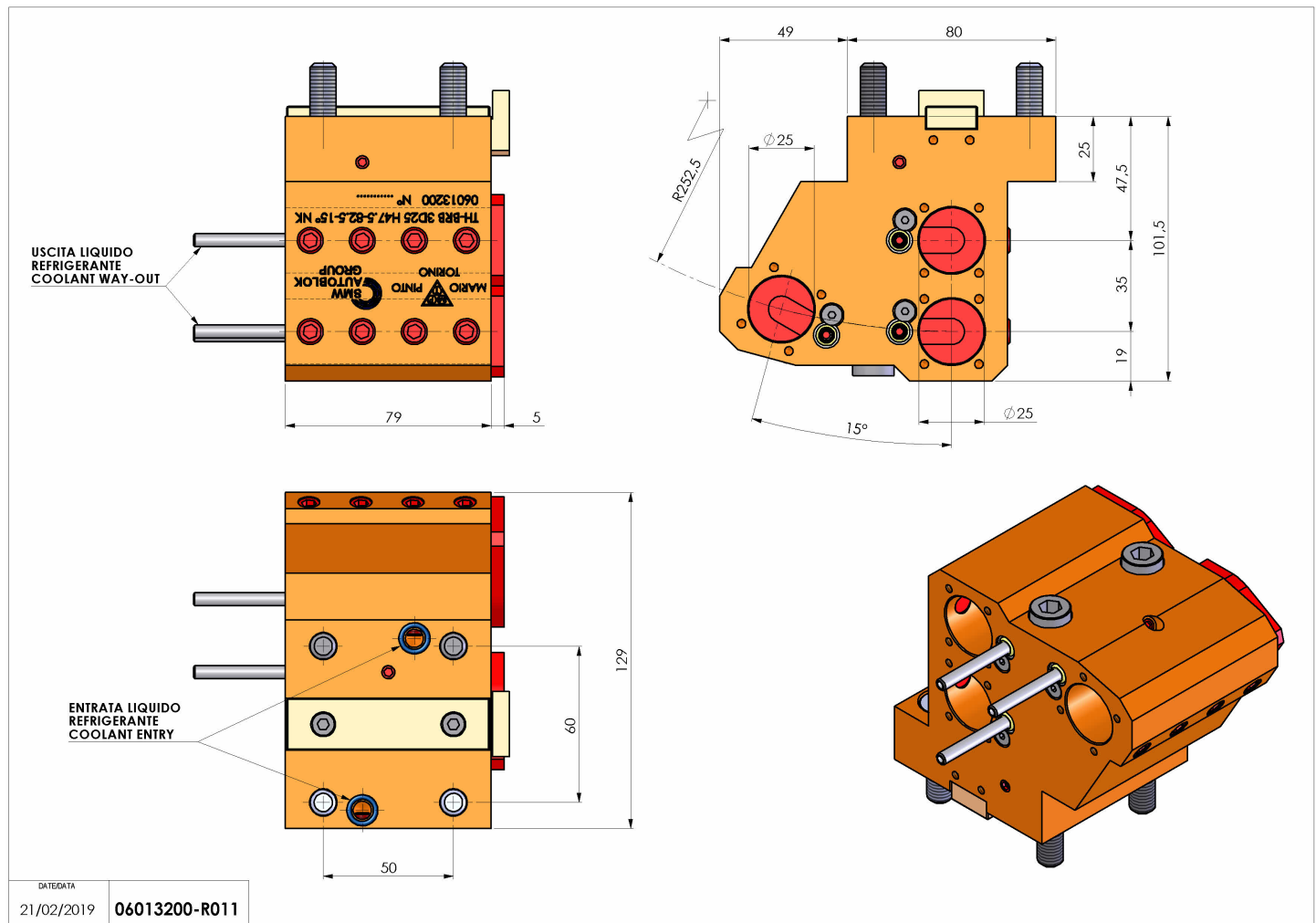
# 06013200 - TH-BRB 3D25 H47.5-82.5-15 NK

Type	TH-BRB Boring bar holder
Mounting	CYLINDRICAL SHANK 55
Tool output	Boring Bar Holder 25
Coolant	External / Internal coolant
H [mm]	47,5-82,5



Accessories	N.A.
Notes	N.A.
Mounting tips	N.A.

Always check live tool dimensions on the turret



DATE/DATE	21/02/2019	06013200-R011
-----------	------------	---------------

Subject to technical changes