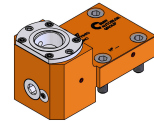


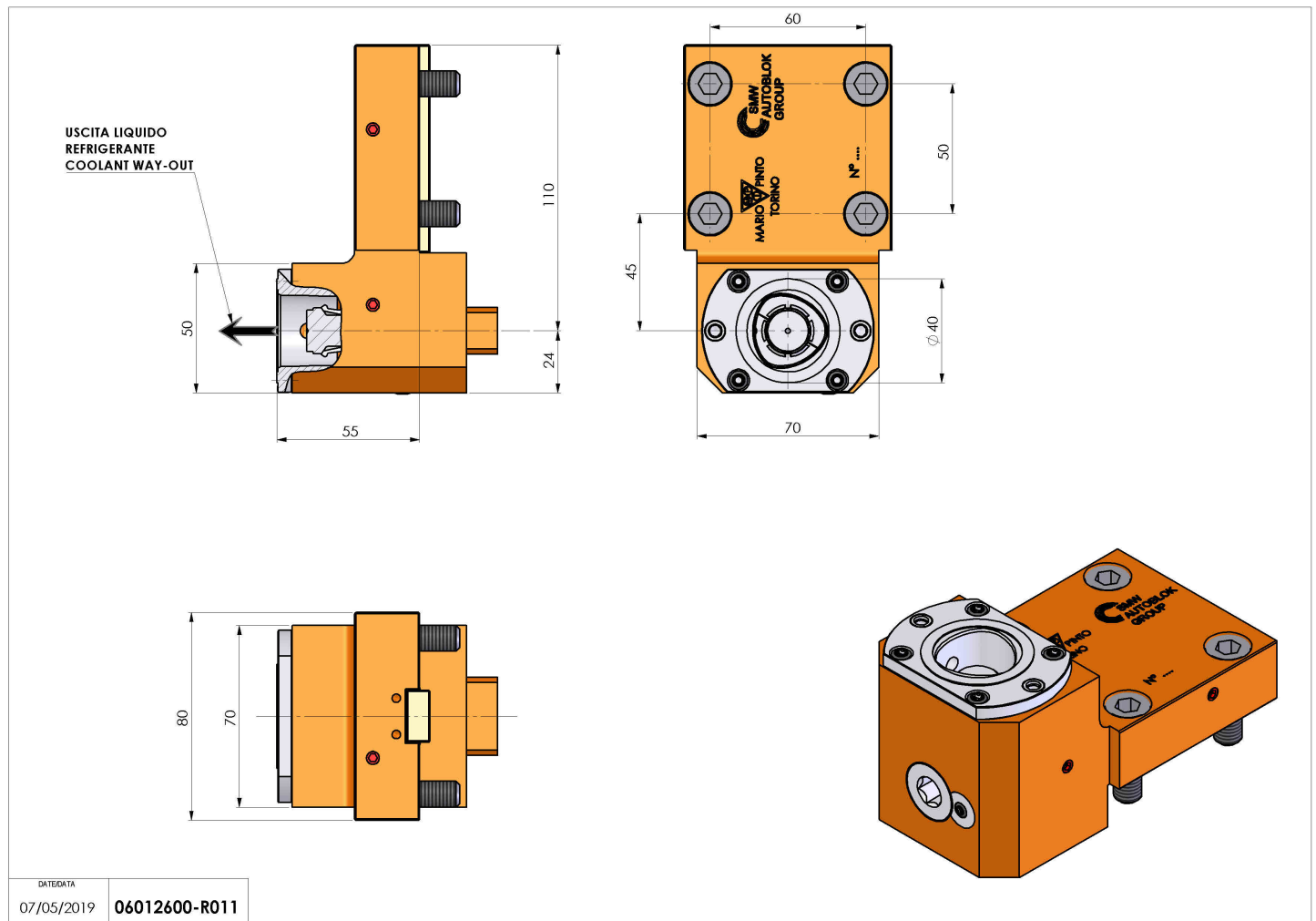
## 06012600 - TH-RAD D55 C40 OFS70 RF H55

Type	TH-RAD Radial Tool holder
Mounting	CYLINDRICAL SHANK 55
Tool output	Polygonal shank C40 ISO 26623-1
Coolant	Internal coolant
H [mm]	55



Accessories	N.A.
Notes	N.A.
Mounting tips	N.A.

Always check live tool dimensions on the turret



DATE/DATE	07/05/2019
	06012600-R011

Subject to technical changes