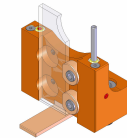


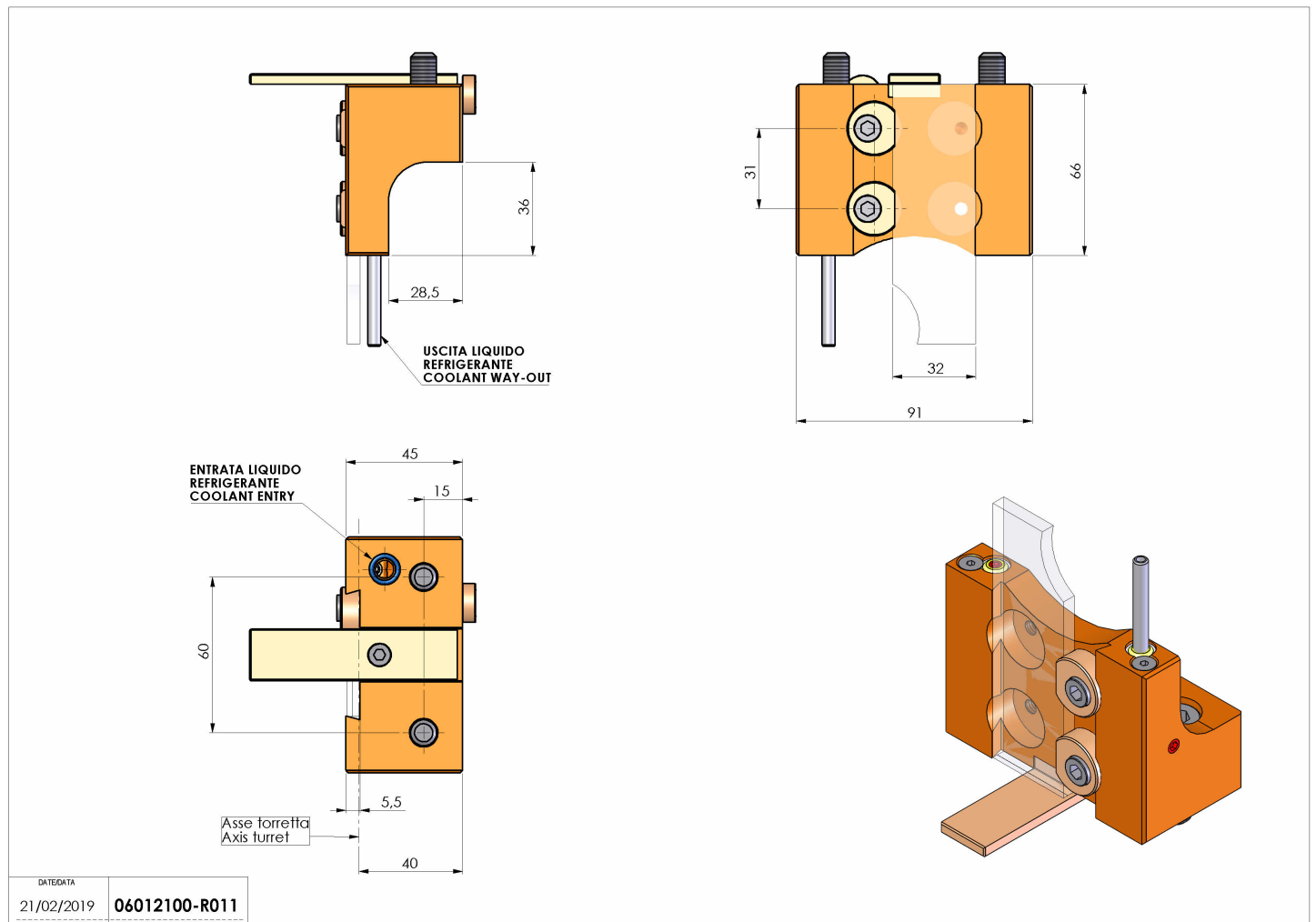
# 06012100 - TH-CUT D55 SH32X5 TP H70 NK

|             |                          |
|-------------|--------------------------|
| Type        | TH-CUT<br>Cutting holder |
| Mounting    | CYLINDRICAL SHANK 55     |
| Tool output | Cut Off Holder 32        |
| Coolant     | External coolant         |
| H [mm]      | 66                       |



|               |      |
|---------------|------|
| Accessories   | N.A. |
| Notes         | N.A. |
| Mounting tips | N.A. |

Always check live tool dimensions on the turret



Subject to technical changes