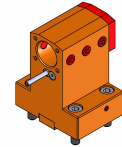


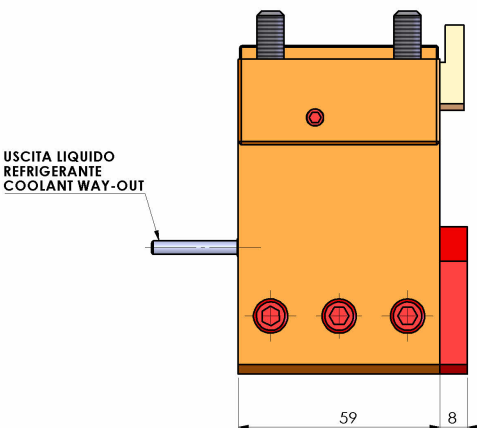
06011900 - TH-BRB D44 D25 H75 L59 NK

Type	TH-BRB Boring bar holder
Mounting	CYLINDRICAL SHANK 44
Tool output	Boring Bar Holder 25
Coolant	External / Internal coolant
H [mm]	75

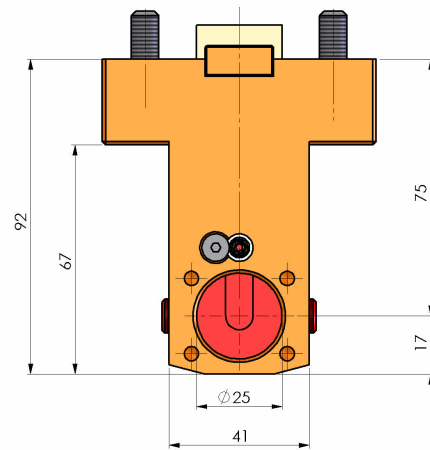


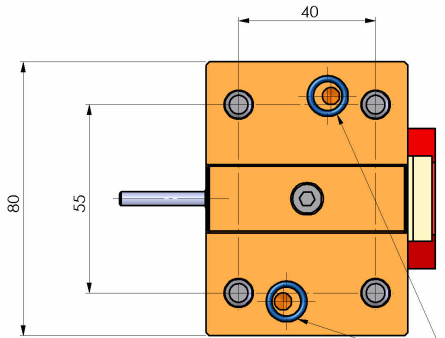
Accessories	N.A.
Notes	N.A.
Mounting tips	N.A.

Always check live tool dimensions on the turret

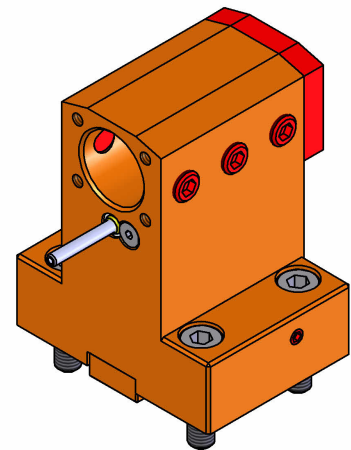


USCITA LIQUIDO
REFRIGERANTE
COOLANT WAY-OUT





ENTRATA LIQUIDO
REFRIGERANTE
COOLANT ENTRY



DATE/GRA

20/02/2019

06011900-R011

Subject to technical changes