
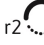
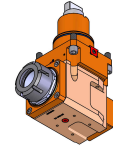
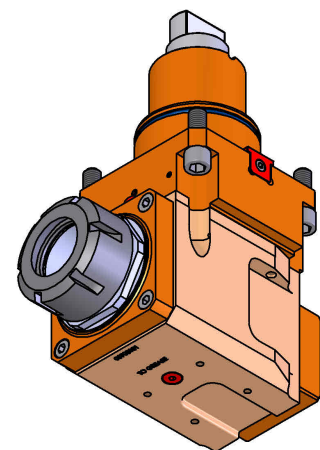
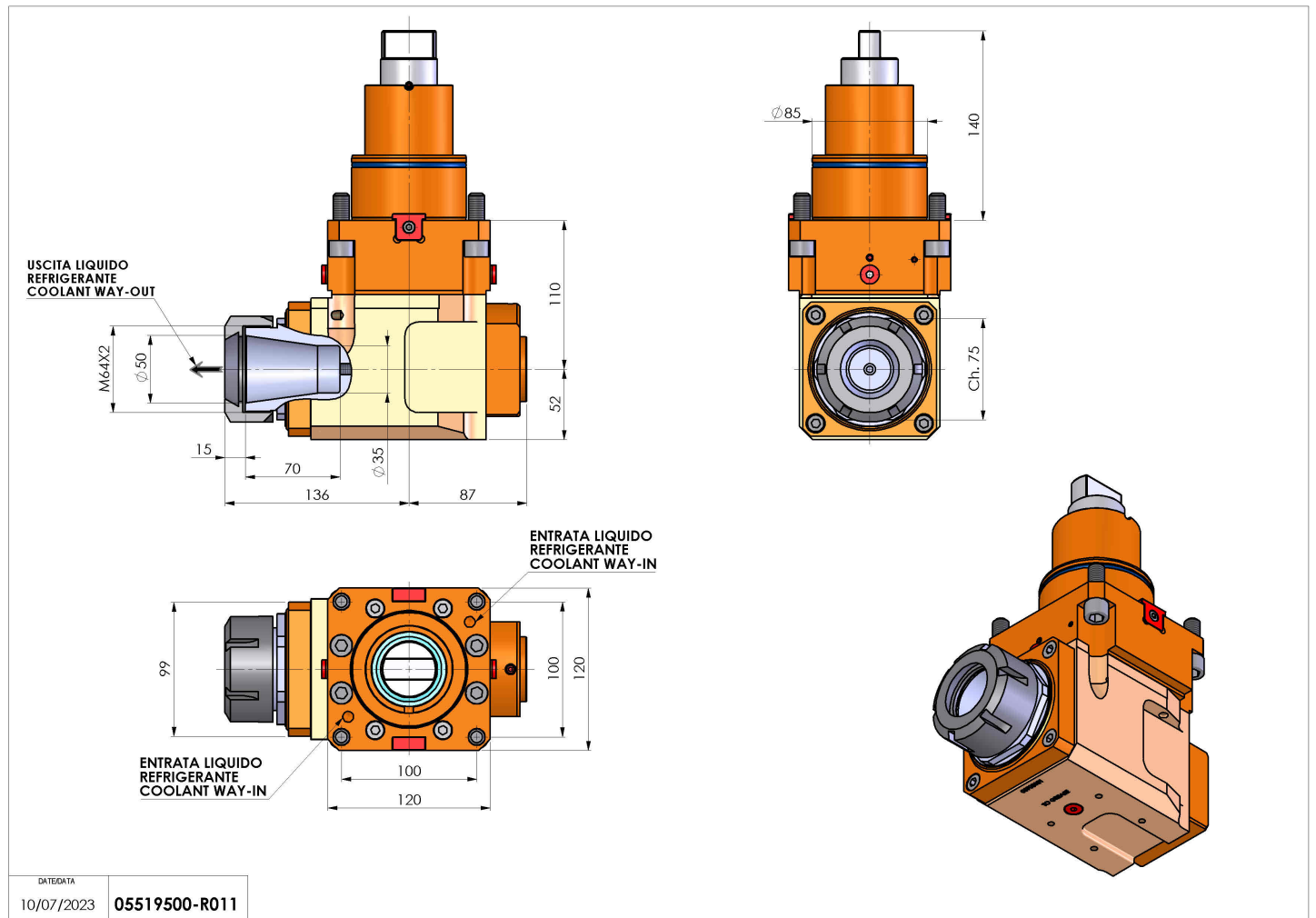


05519500 - LT-A BMT85 BD ER50 LR RF H110

Type	LT-A Tool holder angle 90°
Mounting	BMT 85 BIG DRIVE
Tool output	Collet nut ER 50
Coolant	Internal coolant
Direction of rotation	r1  r2 
Max speed [rpm]	4000
Max torque [Nm]	180
Ratio	1:1
H [mm]	110
H1 [mm]	52
Accessories	N.A.
Notes	N.A.
Mounting tips	N.A.



Always check live tool dimensions on the turret



Subject to technical changes

DATE/DATE	10/07/2023	05519500-R011
-----------	------------	---------------