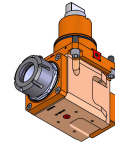
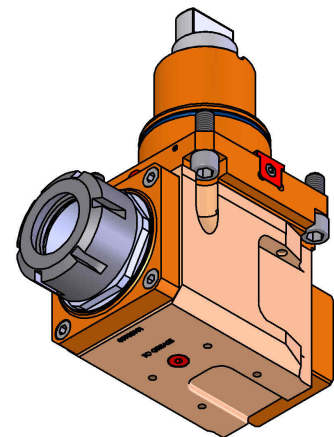
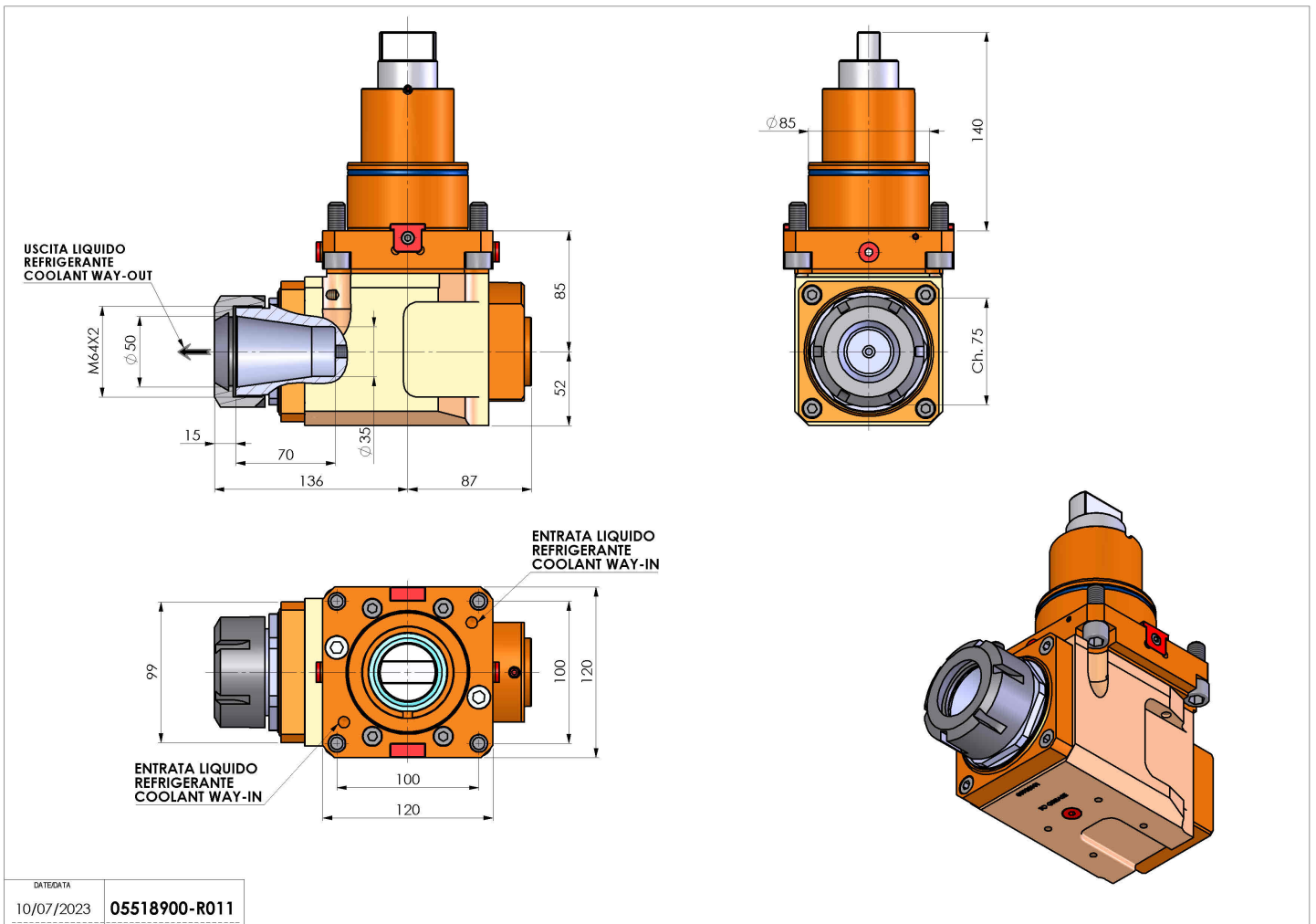


# 05518900 - LT-A BMT85 BD ER50 LR RF 2:1 H85

|                              |                               |
|------------------------------|-------------------------------|
| <b>Type</b>                  | LT-A<br>Tool holder angle 90° |
| <b>Mounting</b>              | BMT 85 BIG DRIVE              |
| <b>Tool output</b>           | Collet nut ER 50              |
| <b>Coolant</b>               | Internal coolant              |
| <b>Direction of rotation</b> | r1 ↻ r2 ↻                     |
| <b>Max speed [rpm]</b>       | in 4000 / out 2000            |
| <b>Max torque [Nm]</b>       | in 120 / out 240              |
| <b>Ratio</b>                 | 2:1                           |
| <b>H [mm]</b>                | 85                            |
| <b>H1 [mm]</b>               | 52                            |
| <b>Accessories</b>           | N.A.                          |
| <b>Notes</b>                 | N.A.                          |
| <b>Mounting tips</b>         | N.A.                          |



Always check live tool dimensions on the turret



Subject to technical changes

|           |            |               |
|-----------|------------|---------------|
| DATE/DATE | 10/07/2023 | 05518900-R011 |
|-----------|------------|---------------|