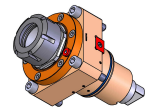
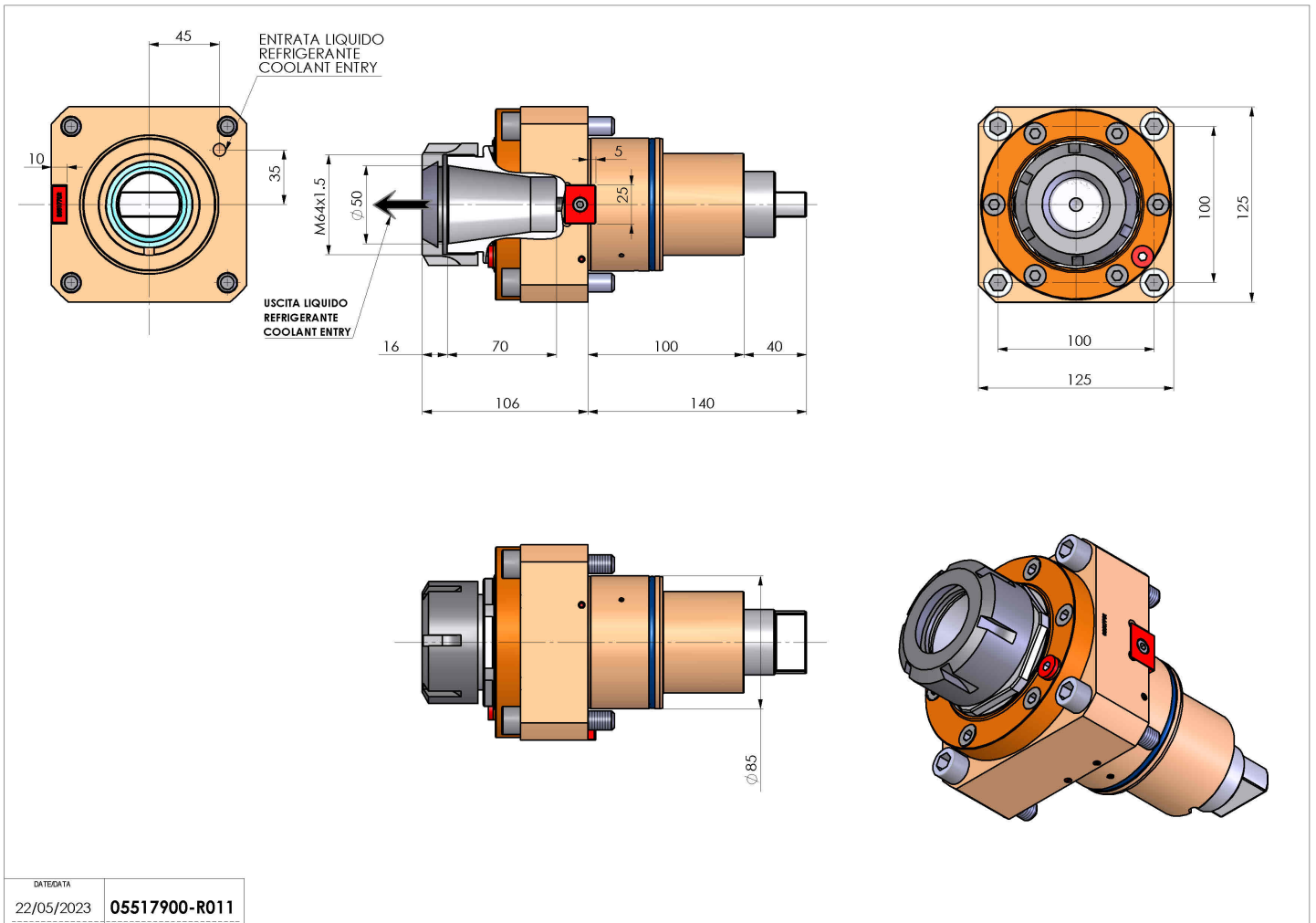


# 05517900 - LT-S BMT85 BD ER50 RF H106

<b>Type</b>	LT-S Tool holder straight
<b>Mounting</b>	BMT 85 BIG DRIVE
<b>Tool output</b>	Collet nut ER 50
<b>Coolant</b>	Internal coolant
<b>Direction of rotation</b>	r1  r2
<b>Max speed [rpm]</b>	4000
<b>Max torque [Nm]</b>	100
<b>Ratio</b>	1:1
<b>H [mm]</b>	106
<b>Accessories</b>	N.A.
<b>Notes</b>	N.A.
<b>Mounting tips</b>	N.A.



Always check live tool dimensions on the turret



DATE/DATE	05517900-R011
22/05/2023	

Subject to technical changes