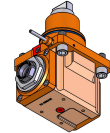
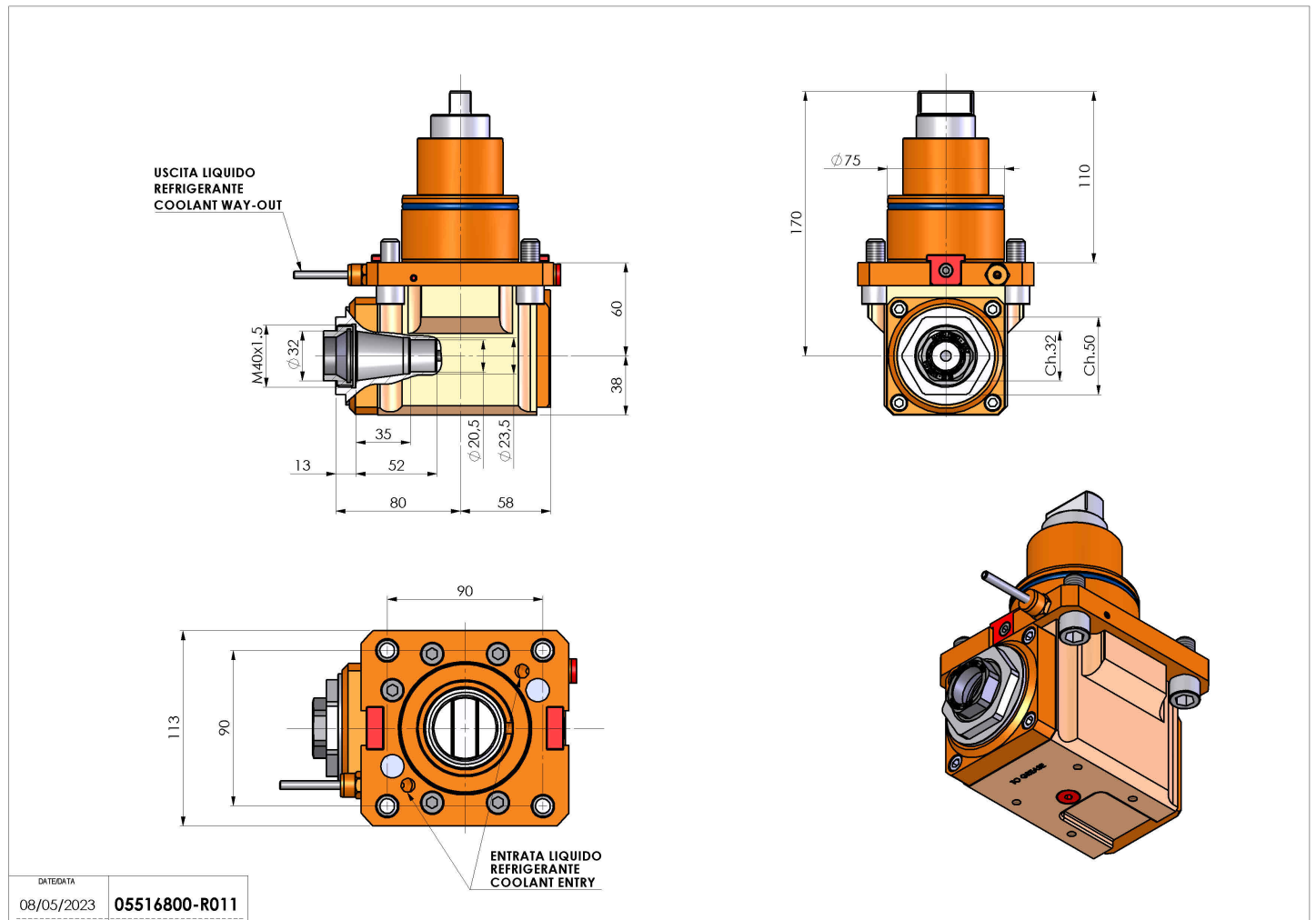


05516800 - LT-A BMT75 BD ER32F H60

| | |
|-----------------------|-----------------------------------|
| Type | LT-A Tool holder angle 90° |
| Mounting | BMT 75 BIG DRIVE |
| Tool output | Collet nut ER 32 F - internal nut |
| Coolant | External coolant |
| Direction of rotation | r1 ↻ r2 ↻ |
| Max speed [rpm] | 4000 |
| Max torque [Nm] | 63 |
| Ratio | 1:1 |
| H [mm] | 60 |
| H1 [mm] | 38 |
| Accessories | N.A. |
| Notes | N.A. |
| Mounting tips | Main and secondary spindle |



Always check live tool dimensions on the turret



DATE/DATE: 08/05/2023 05516800-R011

Subject to technical changes