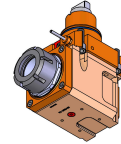
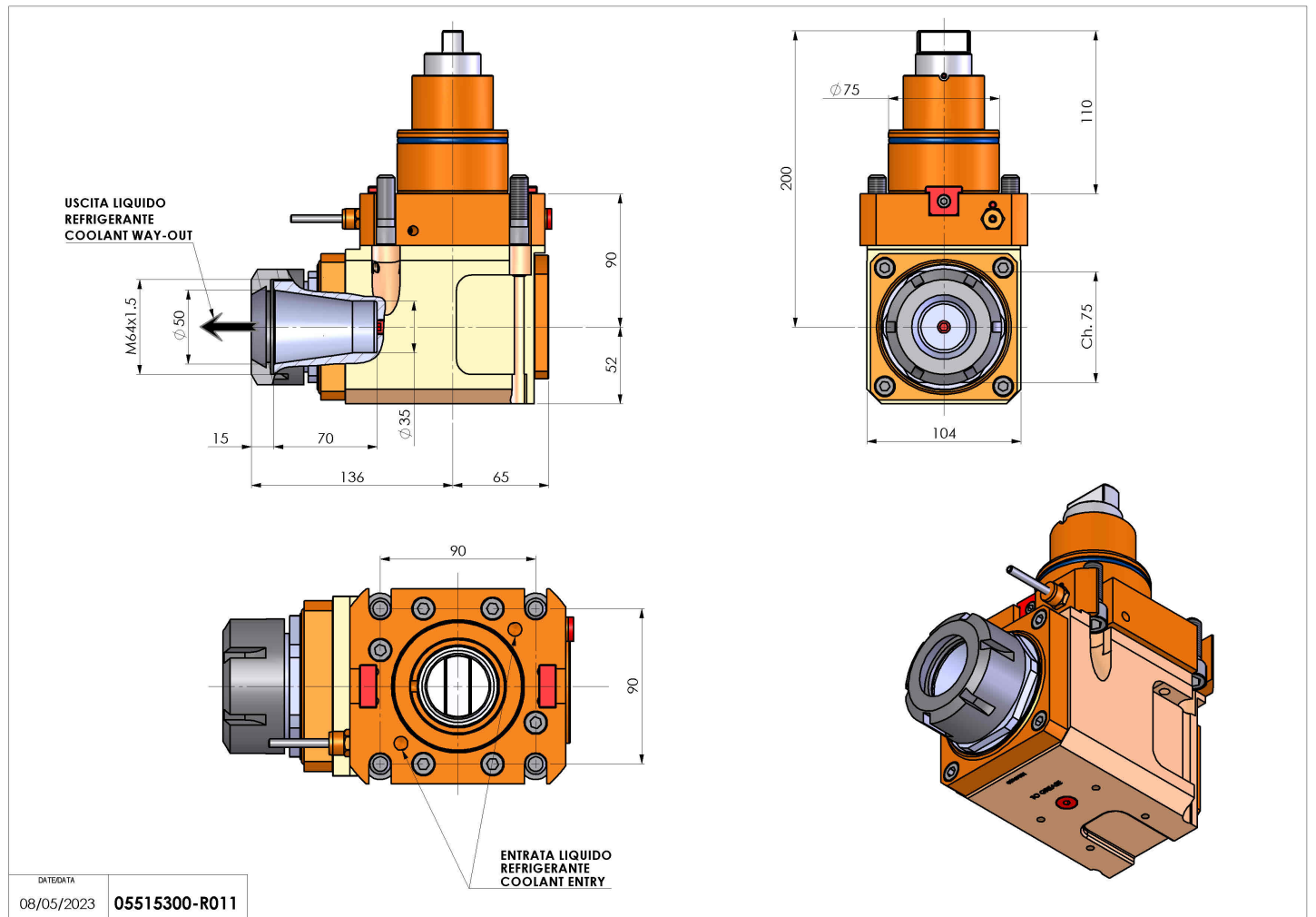


# 05515300 - LT-A BMT75 BD ER50 LR H90

|                       |                               |
|-----------------------|-------------------------------|
| Type                  | LT-A<br>Tool holder angle 90° |
| Mounting              | BMT 75 BIG DRIVE              |
| Tool output           | Collet nut ER 50              |
| Coolant               | External coolant              |
| Direction of rotation | r1 ↻ r2 ↻                     |
| Max speed [rpm]       | 4000                          |
| Max torque [Nm]       | 180                           |
| Ratio                 | 1:1                           |
| H [mm]                | 90                            |
| H1 [mm]               | 52                            |
| Accessories           | N.A.                          |
| Notes                 | N.A.                          |
| Mounting tips         | Main and secondary spindle    |



Always check live tool dimensions on the turret



Subject to technical changes