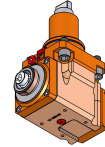
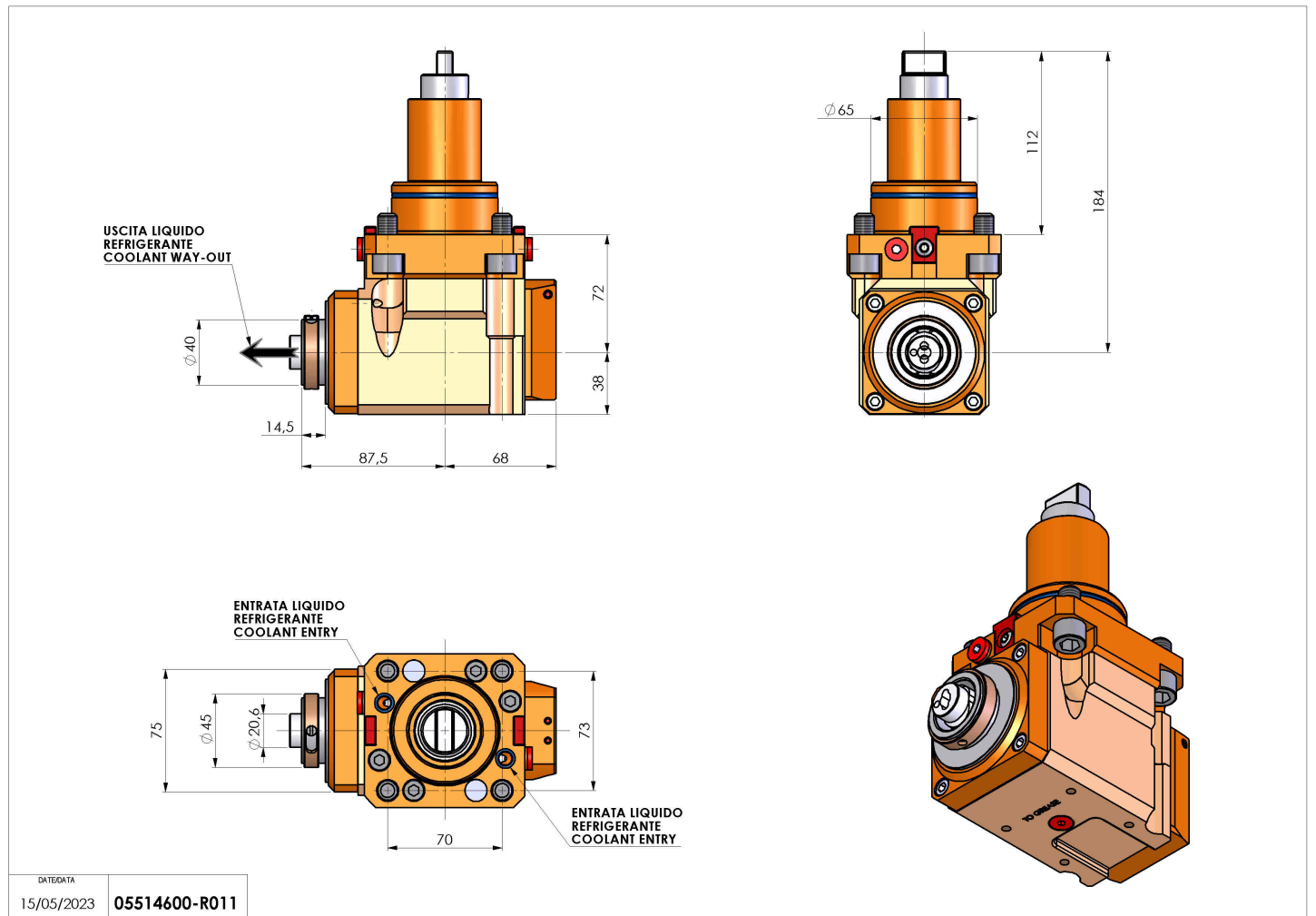


05514600 - LT-A BMT65 BD HSK40 LR RF H72

| | |
|-----------------------|-------------------------------|
| Type | LT-A Tool holder angle 90° |
| Mounting | BMT 65 BIG DRIVE |
| Tool output | Quick Change HSK40 |
| Coolant | Internal coolant |
| Direction of rotation | r1 ↻ r2 ↻ |
| Max speed [rpm] | 6000 |
| Max torque [Nm] | 63 |
| Ratio | 1:1 |
| H [mm] | 72 |
| H1 [mm] | 38 |
| Max pressure [bar] | 20 |
| Accessories | N.A. |
| Notes | N.A. |
| Mounting tips | N.A. |



Always check live tool dimensions on the turret



DATE/DATE
15/05/2023 05514600-R011

Subject to technical changes