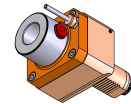


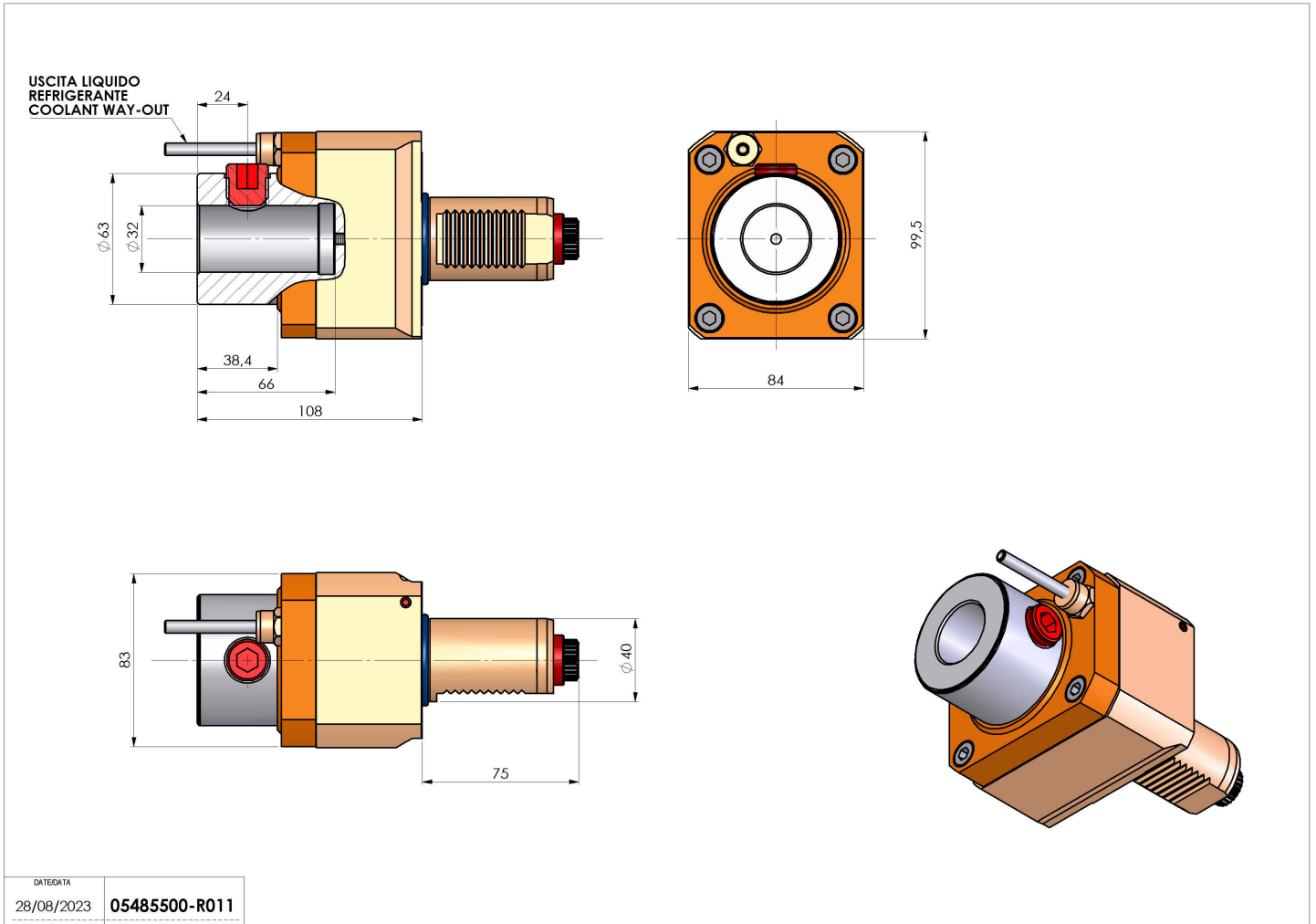
05485500 - LT-S VDI40 WELDON32 H108 5480

Type	LT-S Tool holder straight
Mounting	VDI 40
Tool output	Weldon 32 DIN1835B
Coolant	External coolant
Direction of rotation	r1 r2
Max speed [rpm]	4000
Max torque [Nm]	45
Ratio	1:1
H [mm]	108
Accessories	N.A.
Notes	N.A.
Mounting tips	N.A.



ATTENTION: CHECK THE ORIENTATION OF THE VDI TEETH

Always check live tool dimensions on the turret



Subject to technical changes