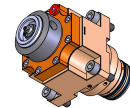
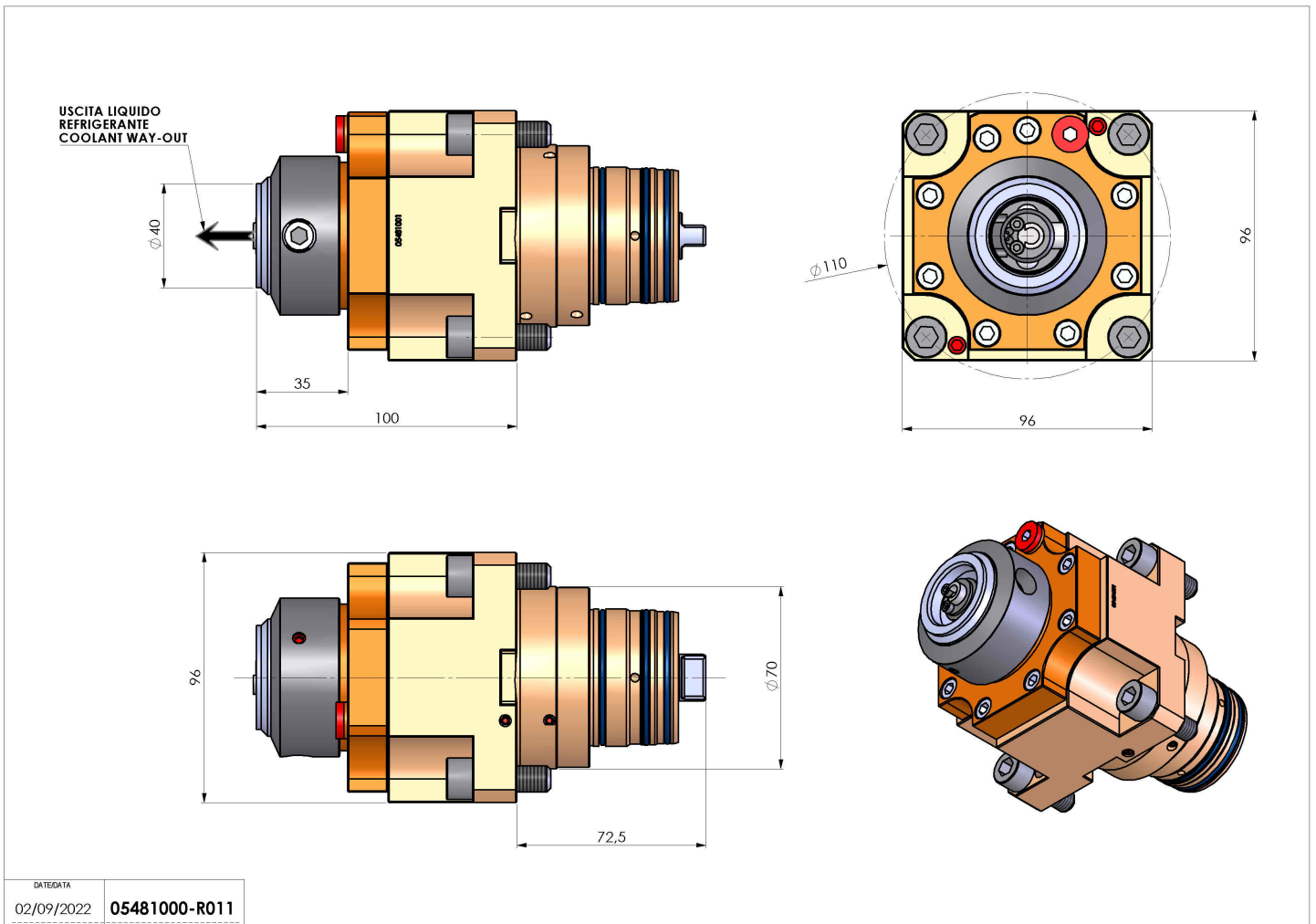


05481000 - LT-S D70 KM40 RF HS H100

Type	LT-S Tool holder straight
Mounting	CYLINDRICAL SHANK 70
Tool output	Quick Change KM40
Coolant	Internal coolant
Direction of rotation	r1 r2
Max speed [rpm]	8000
Max torque [Nm]	80
Ratio	1:1
H [mm]	100
Max pressure [bar]	20
Accessories	N.A.
Notes	N.A.
Mounting tips	N.A.



Always check live tool dimensions on the turret



DATE/DATE	
02/09/2022	05481000-R011

Subject to technical changes