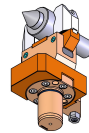


## 05456800 - ATR MANIPOLATORE VDI-40 D50 H130

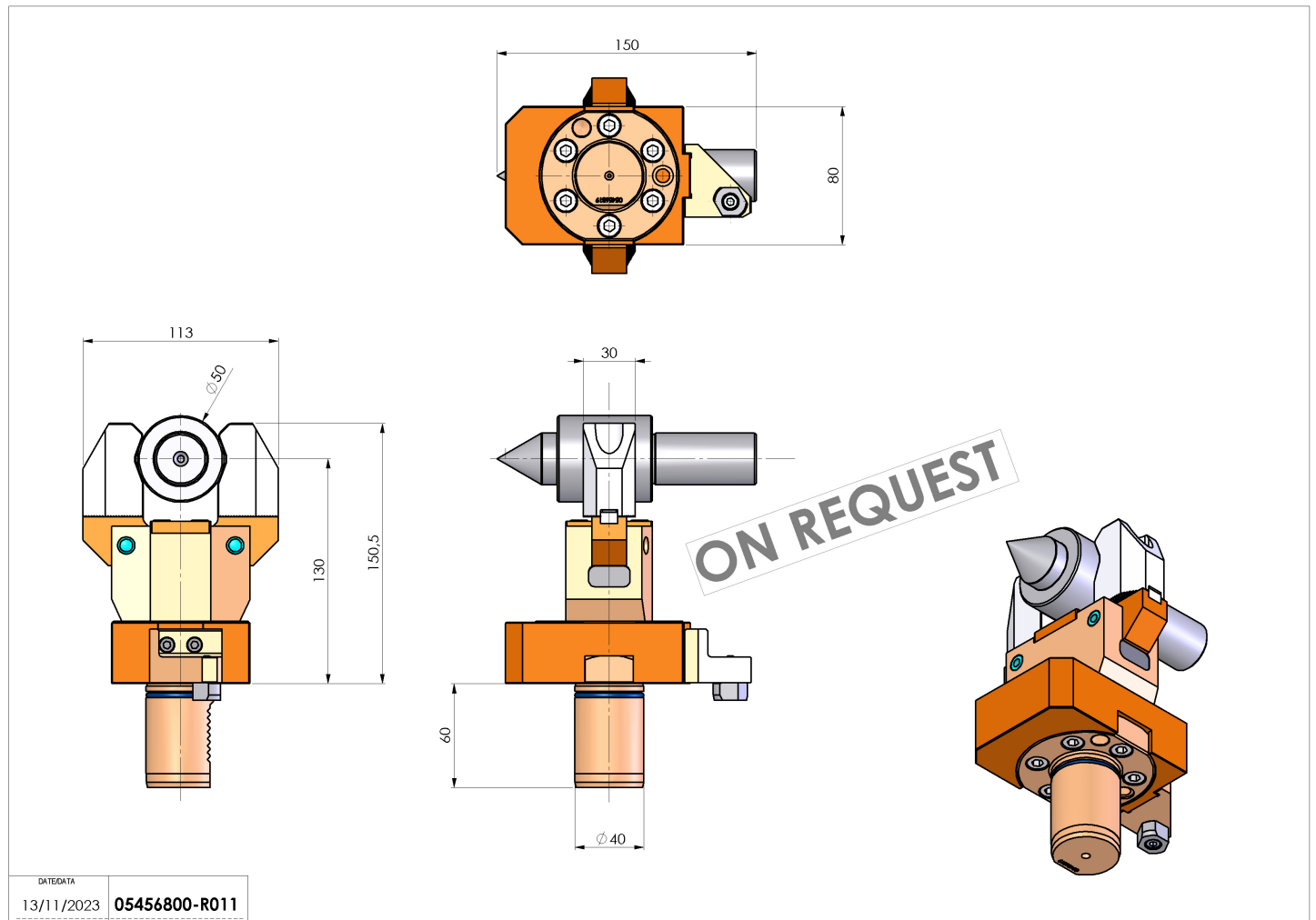
<b>Type</b>	ATR MAN Handling hand
<b>Mounting</b>	VDI 40
<b>Tool output</b>	Boring Bar Holder 50
<b>Coolant</b>	N.A.
<b>H [mm]</b>	130



<b>Accessories</b>	N.A.
<b>Notes</b>	N.A.
<b>Mounting tips</b>	N.A.

**ATTENTION: CHECK THE ORIENTATION OF THE VDI TEETH**

Always check live tool dimensions on the turret



DATE/DATA	
13/11/2023	05456800-R011

**Subject to technical changes**