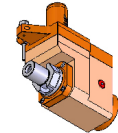


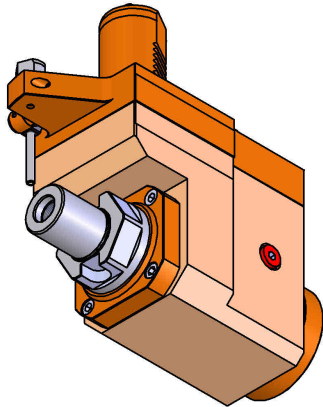
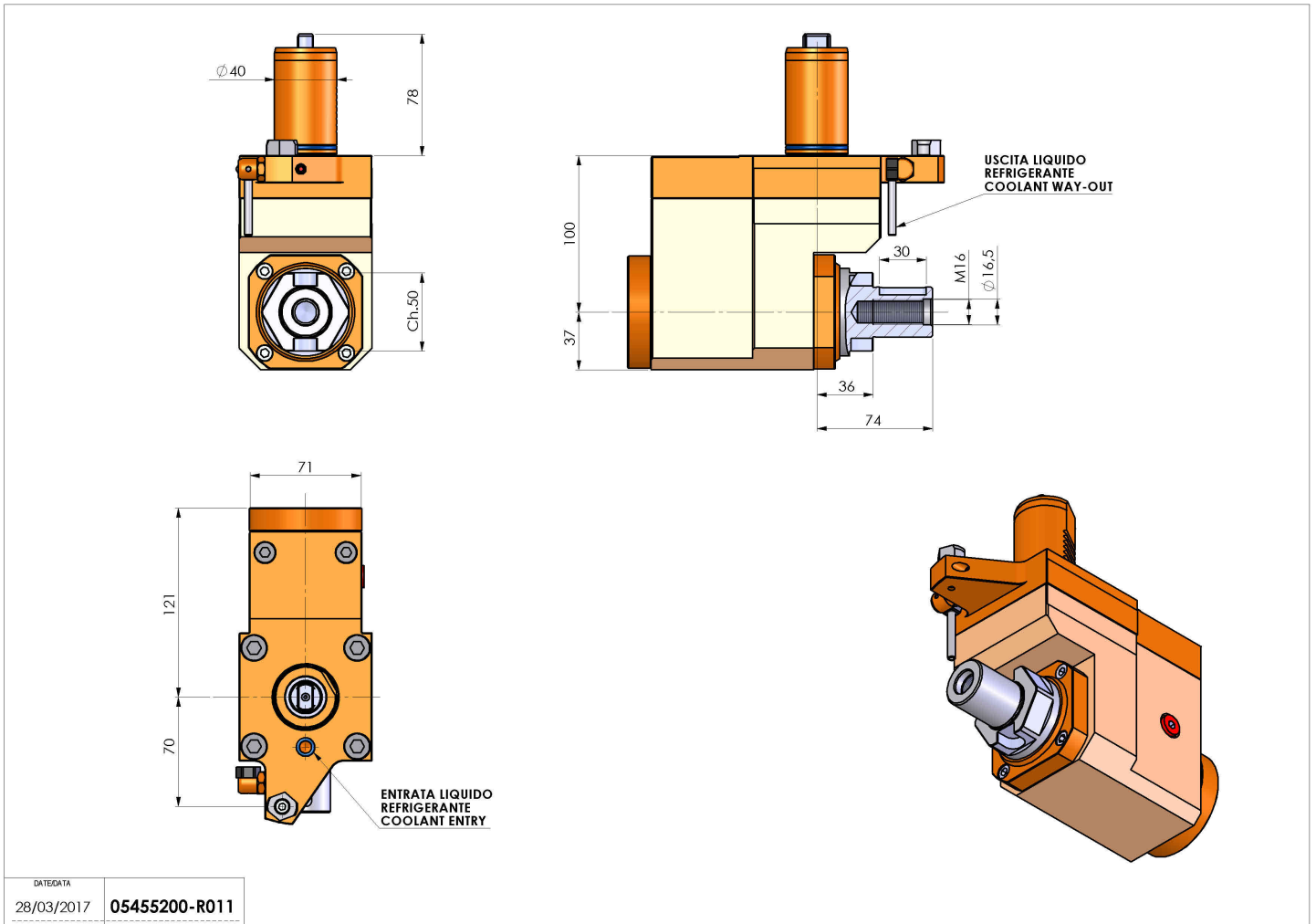
05455200 - LT-A VDI40 138-27 R OFS H100

Type	LT-A OFS Tool holder offset angle 90°
Mounting	VDI 40
Tool output	Shell-Mill DIN138 27
Coolant	External coolant
Offset [mm]	31.5
Direction of rotation	r1 r2
Max speed [rpm]	6000
Max torque [Nm]	63
Ratio	1:1
H [mm]	100
H1 [mm]	37
Accessories	N.A.
Notes	N.A.
Mounting tips	Secondary spindle only



ATTENTION: CHECK THE ORIENTATION OF THE VDI TEETH

Always check live tool dimensions on the turret



DATE/GATA	05455200-R011
28/03/2017	

Subject to technical changes