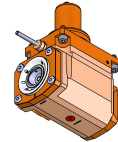
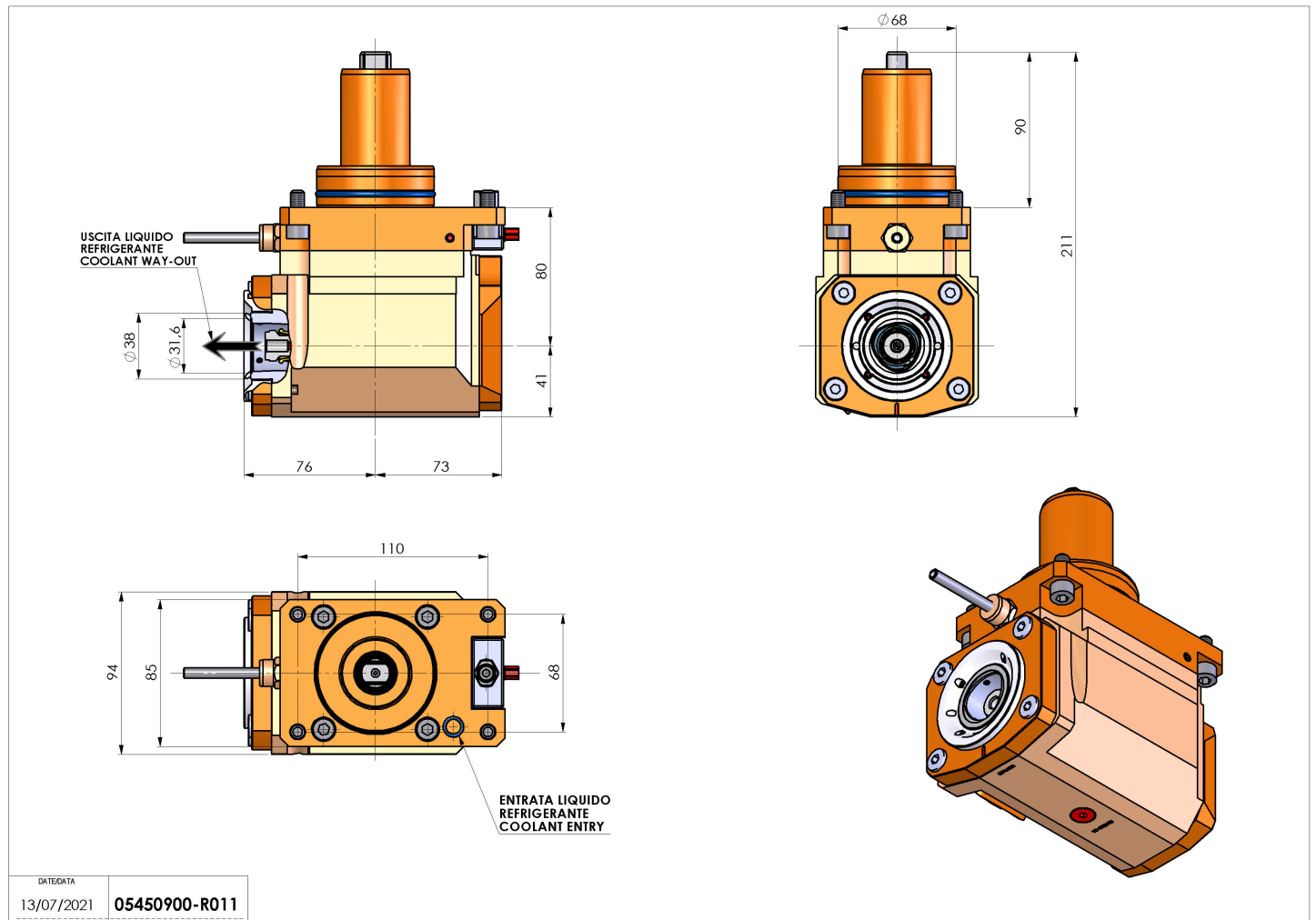


# 05450900 - LT-A D68 C40 HS H80

|                              |                                 |
|------------------------------|---------------------------------|
| <b>Type</b>                  | LT-A<br>Tool holder angle 90°   |
| <b>Mounting</b>              | CYLINDRICAL SHANK 68            |
| <b>Tool output</b>           | Polygonal shank C40 ISO 26623-1 |
| <b>Coolant</b>               | External coolant                |
| <b>Direction of rotation</b> | r1  r2                          |
| <b>Max speed [rpm]</b>       | 10000                           |
| <b>Max torque [Nm]</b>       | 63                              |
| <b>Ratio</b>                 | 1:1                             |
| <b>H [mm]</b>                | 80                              |
| <b>H1 [mm]</b>               | 41                              |
| <b>Accessories</b>           | N.A.                            |
| <b>Notes</b>                 | N.A.                            |
| <b>Mounting tips</b>         | Main spindle only               |



Always check live tool dimensions on the turret



|             |               |
|-------------|---------------|
| DATE/DATE   | 13/07/2021    |
| PART NUMBER | 05450900-R011 |

Subject to technical changes