

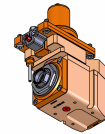
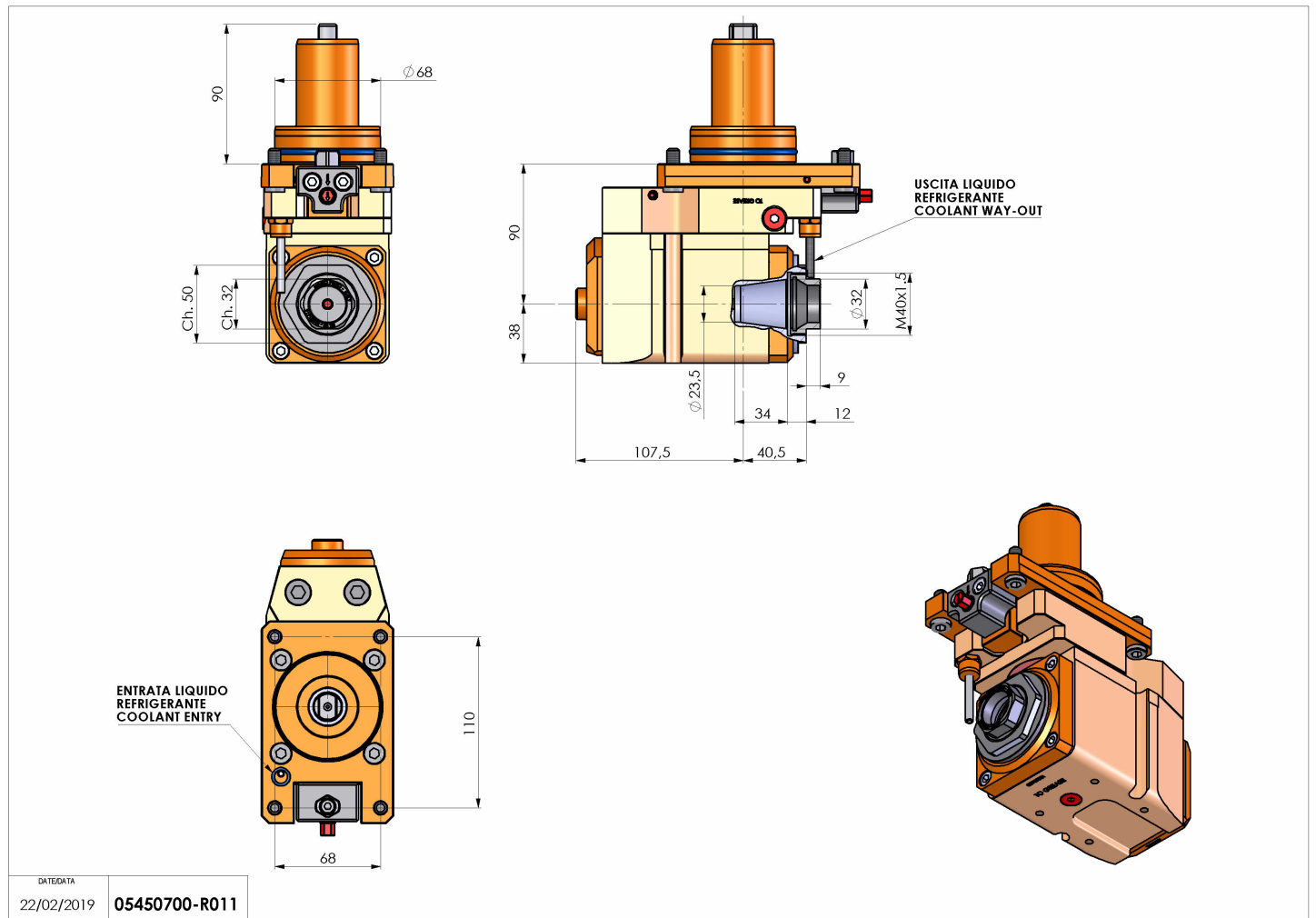


05450700 - LT-A D68 ER32F OFS H90

Type	LT-A OFS Tool holder offset angle 90°
Mounting	CYLINDRICAL SHANK 68
Tool output	Collet nut ER 32 F - internal nut
Coolant	External coolant
Direction of rotation	r1  r2 
Max speed [rpm]	6000
Max torque [Nm]	50
Ratio	1:1
H [mm]	90
H1 [mm]	38
Accessories	N.A.
Notes	N.A.
Mounting tips	Secondary spindle only



Always check live tool dimensions on the turret



Subject to technical changes

DATE/DATE
22/02/2019 05450700-R011