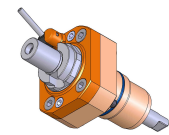
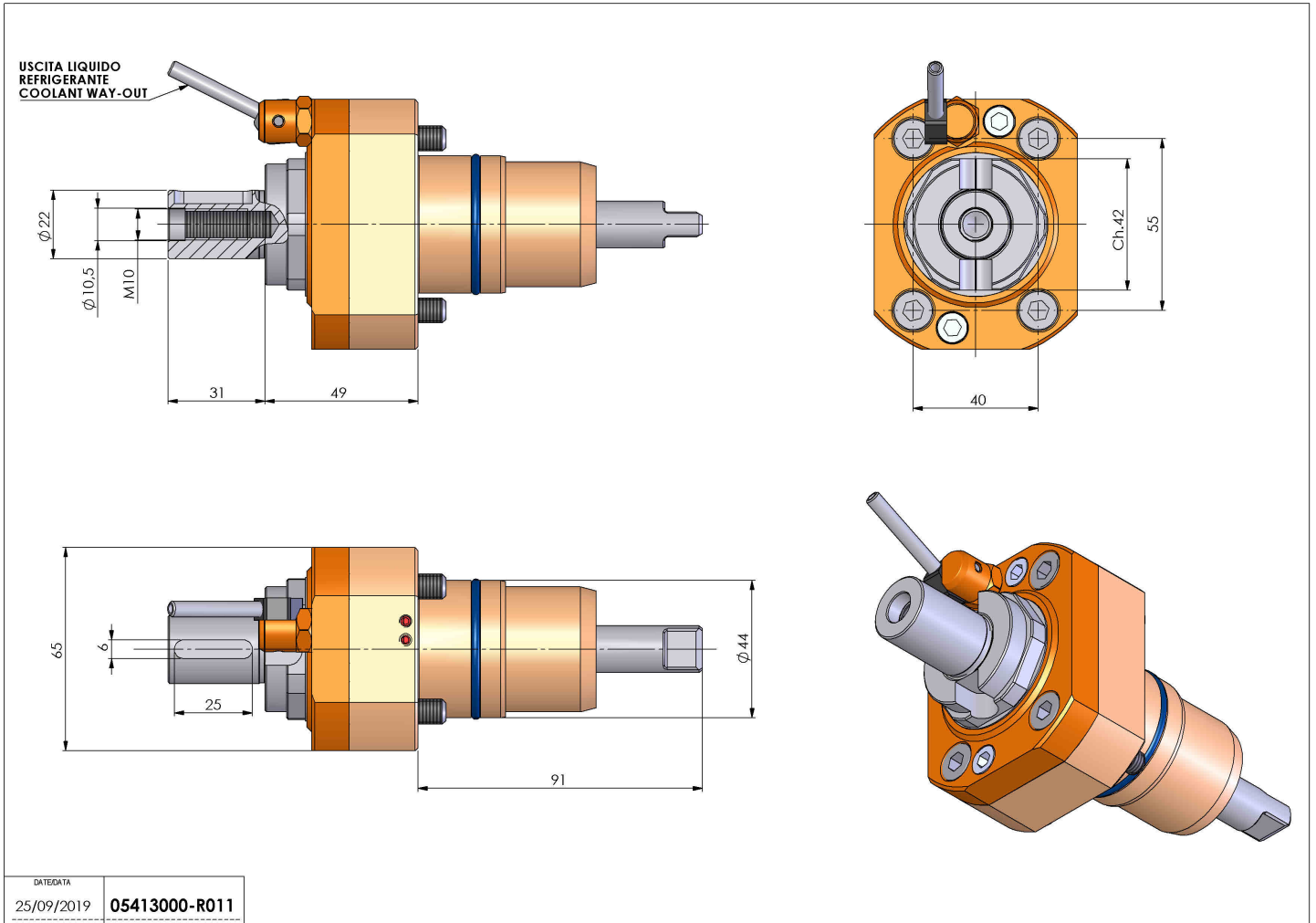


05413000 - LT-S D44 DIN138-22 H49

Type	LT-S Tool holder straight
Mounting	CYLINDRICAL SHANK 44
Tool output	Shell-Mill DIN138 22
Coolant	External coolant
Direction of rotation	r1 r2
Max speed [rpm]	6000
Max torque [Nm]	40
Ratio	1:1
H [mm]	49
Accessories	N.A.
Notes	N.A.
Mounting tips	N.A.



Always check live tool dimensions on the turret



DATE/DATE	05413000-R011
25/09/2019	

Subject to technical changes