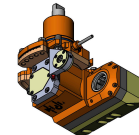
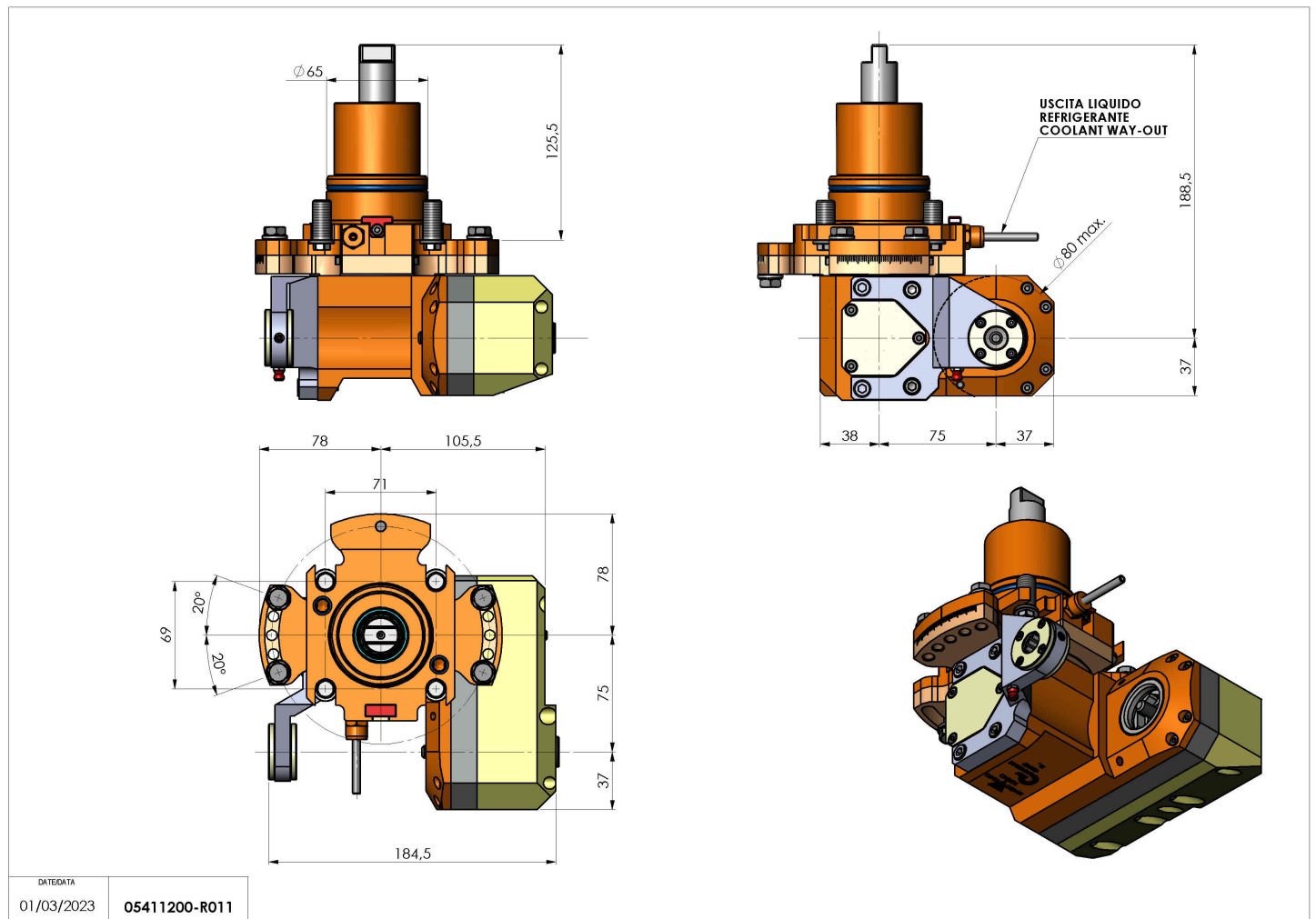


05411200 - LT-HOB-SAW D65 L60 1:1 H73

| | |
|------------------------|---------------------------------------|
| Type | LT-HOB-SAW Hobbing/tool holder saw |
| Mounting | CYLINDRICAL SHANK 65 |
| Tool output | Shank kit Ø16-Ø22-Ø27 |
| Coolant | External coolant |
| Max speed [rpm] | 6000 |
| Max torque [Nm] | 63 |
| Ratio | 1:1 |
| H [mm] | 73 |
| H1 [mm] | 40 |
| Accessories | N.A. |
| Notes | N.A. |
| Mounting tips | N.A. |



Always check live tool dimensions on the turret



| | |
|------------|---------------|
| DATE/DATE | |
| 01/03/2023 | 05411200-R011 |

Subject to technical changes