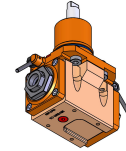
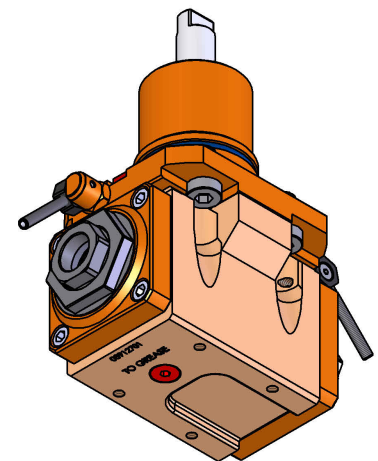
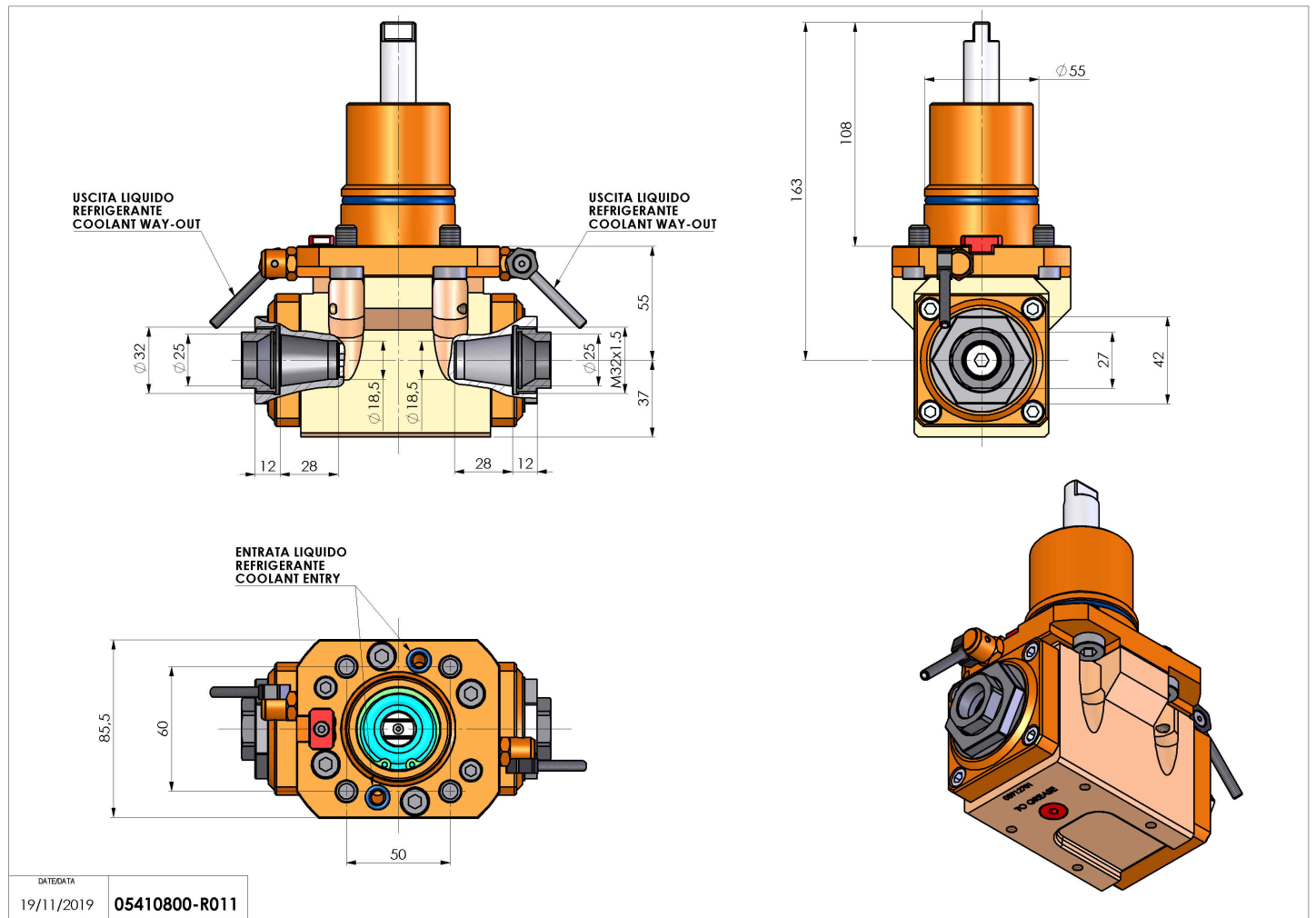


05410800 - LT-A D55 ER25F-25F H55

Type	LT-A DBL Tool holder double angle 90°
Mounting	CYLINDRICAL SHANK 55
Tool output	Collet nut ER 25 F - internal nut
Coolant	External coolant
Direction of rotation	r1 ↻ r2 ↻
Max speed [rpm]	6000
Max torque [Nm]	63
Ratio	1:1
H [mm]	55
H1 [mm]	37
Accessories	N.A.
Notes	N.A.
Mounting tips	N.A.



Always check live tool dimensions on the turret



Subject to technical changes

DATE/DATE	19/11/2019	05410800-R011
-----------	------------	---------------