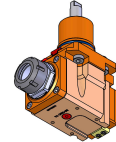
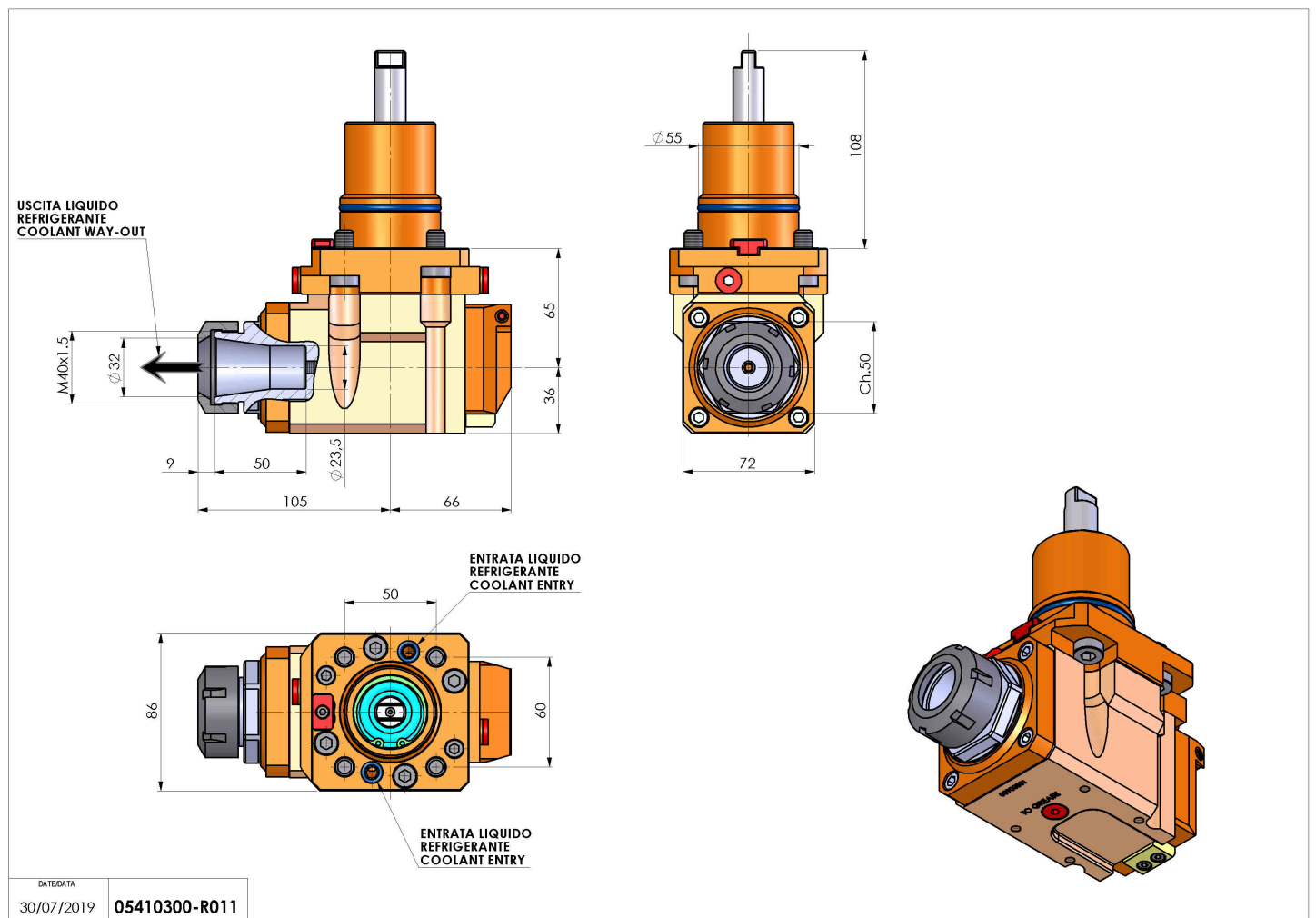


05410300 - LT-A D55 ER32 HRF H65

| | |
|-----------------------|-------------------------------|
| Type | LT-A Tool holder angle 90° |
| Mounting | CYLINDRICAL SHANK 55 |
| Tool output | Collet nut ER 32 |
| Coolant | HRF Internal coolant |
| Direction of rotation | r1 ↻ r2 ↻ |
| Max speed [rpm] | 6000 |
| Max torque [Nm] | 40 |
| Ratio | 1:1 |
| H [mm] | 65 |
| H1 [mm] | 36 |
| Max pressure [bar] | 80 |
| Accessories | N.A. |
| Notes | N.A. |
| Mounting tips | N.A. |



Always check live tool dimensions on the turret



Subject to technical changes