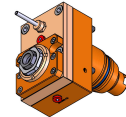
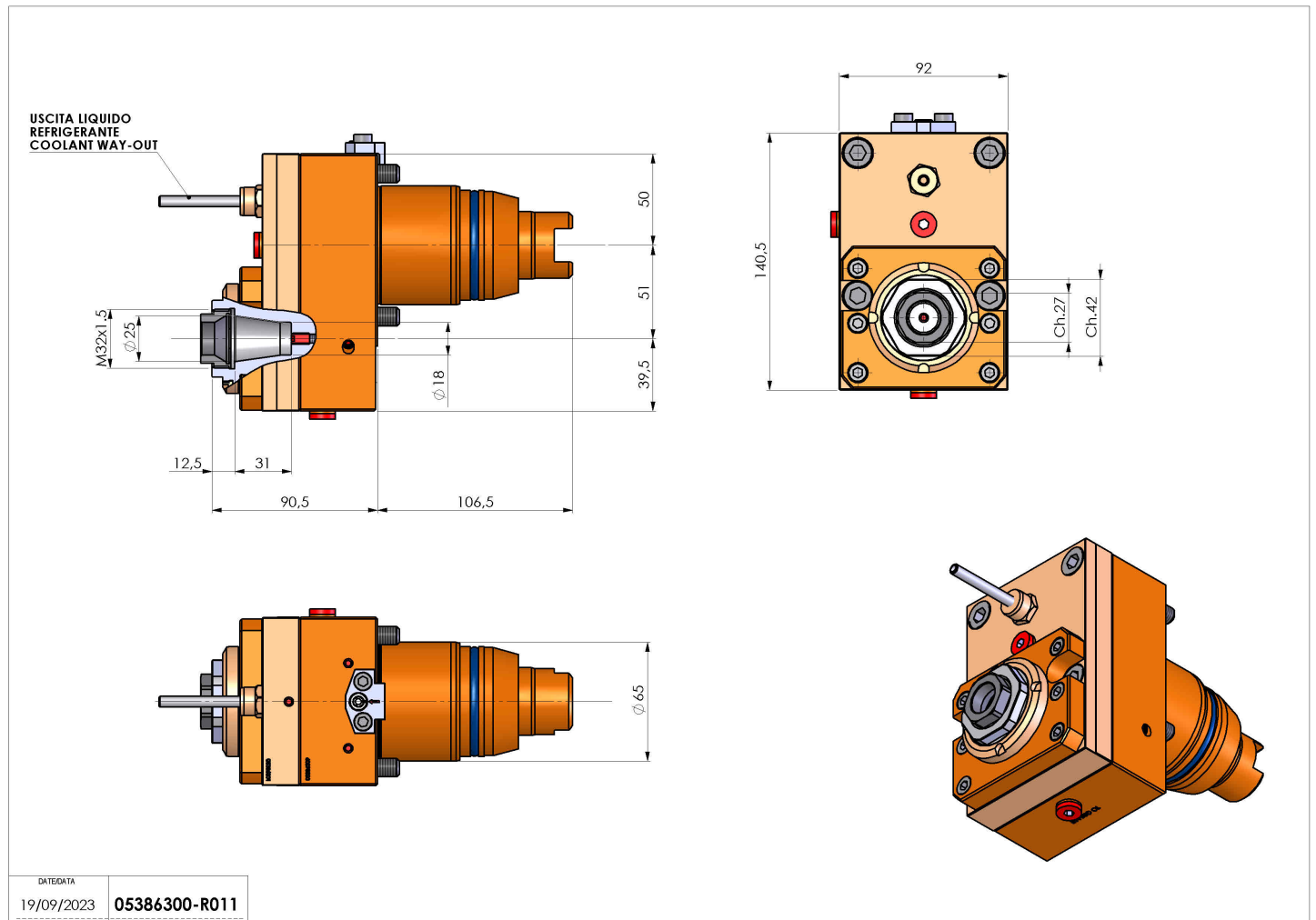


05386300 - LT-S D65 ER25F OFS-51 H90.5

Type	LT-S OFS Tool holder straight offset
Mounting	CYLINDRICAL SHANK 65
Tool output	Collet nut ER 25 F - internal nut
Coolant	External coolant
Offset [mm]	51
Direction of rotation	r1 r2
Max speed [rpm]	6000
Max torque [Nm]	70
Ratio	1:1
H [mm]	90.5
Accessories	N.A.
Notes	N.A.
Mounting tips	N.A.



Always check live tool dimensions on the turret



Subject to technical changes