
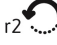
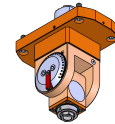
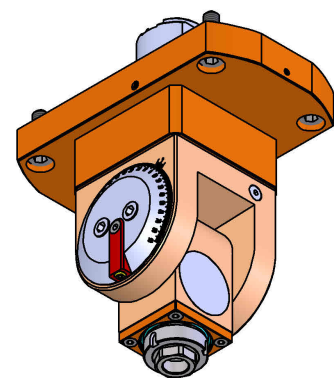
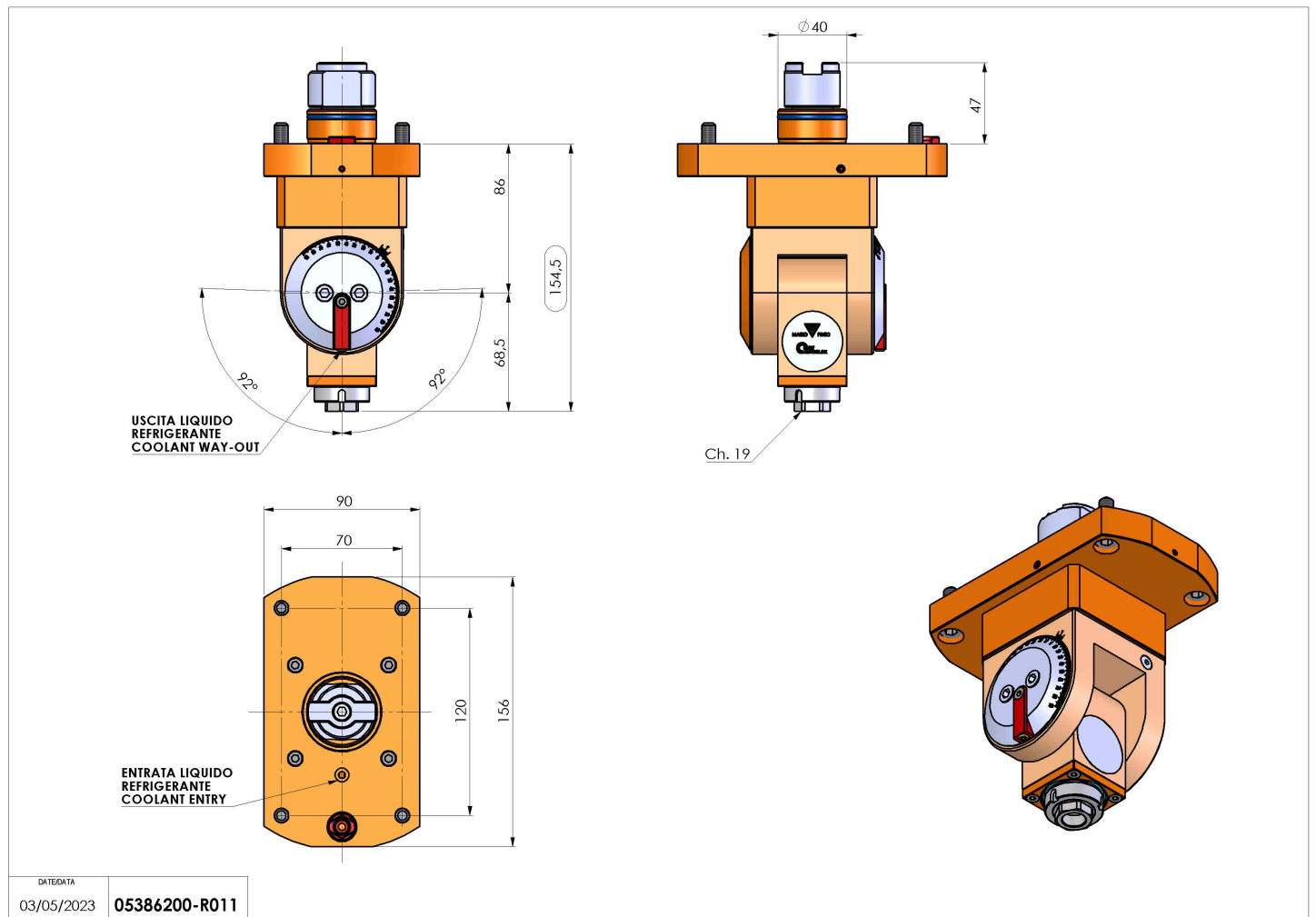


05386200 - LT-T D40 ALFA 184g ER16F H86-155

Type	LT-T Tool holder tiltable
Mounting	CYLINDRICAL SHANK 40
Tool output	Collet nut ER 16 F - internal nut
Coolant	External coolant
Direction of rotation	r1  r2 
Max speed [rpm]	6000
Max torque [Nm]	10
Ratio	1:1
H [mm]	86-154.5
Accessories	N.A.
Notes	N.A.
Mounting tips	N.A.



Always check live tool dimensions on the turret



DATE/DATE
03/05/2023 05386200-R011

Subject to technical changes