

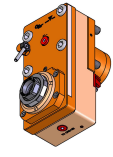
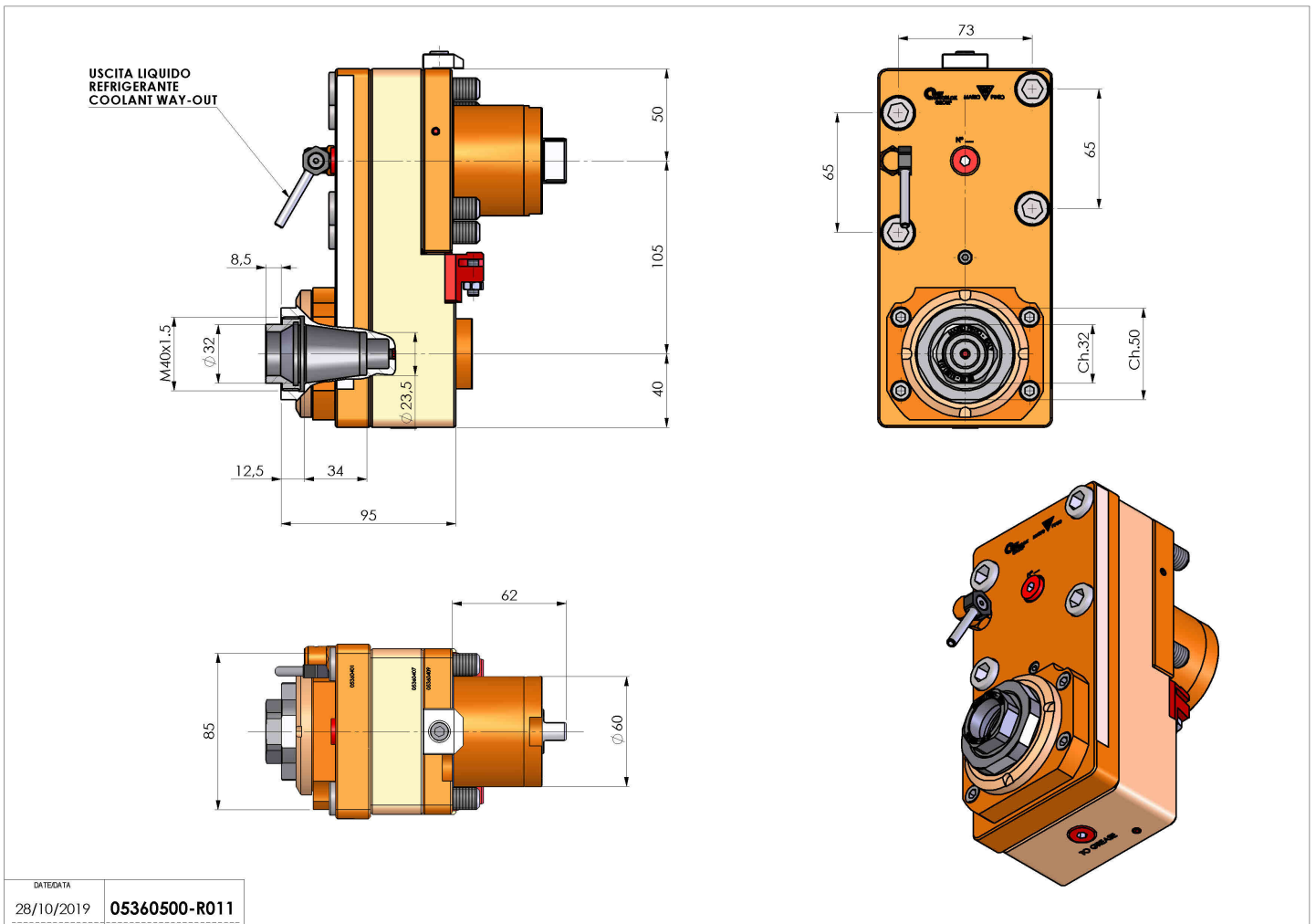


05360500 - LT-S D60 ER32F OF105 LR H93

Type	LT-S OFS Tool holder straight offset
Mounting	CYLINDRICAL SHANK 60
Tool output	Collet nut ER 32 F - internal nut
Coolant	External coolant
Offset [mm]	105
Direction of rotation	r1  r2 
Max speed [rpm]	6000
Max torque [Nm]	63
Ratio	1:1
H [mm]	93
Accessories	N.A.
Notes	N.A.
Mounting tips	Right star-type turret



Always check live tool dimensions on the turret



DATE/DATE	05360500-R011
28/10/2019	

Subject to technical changes