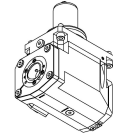


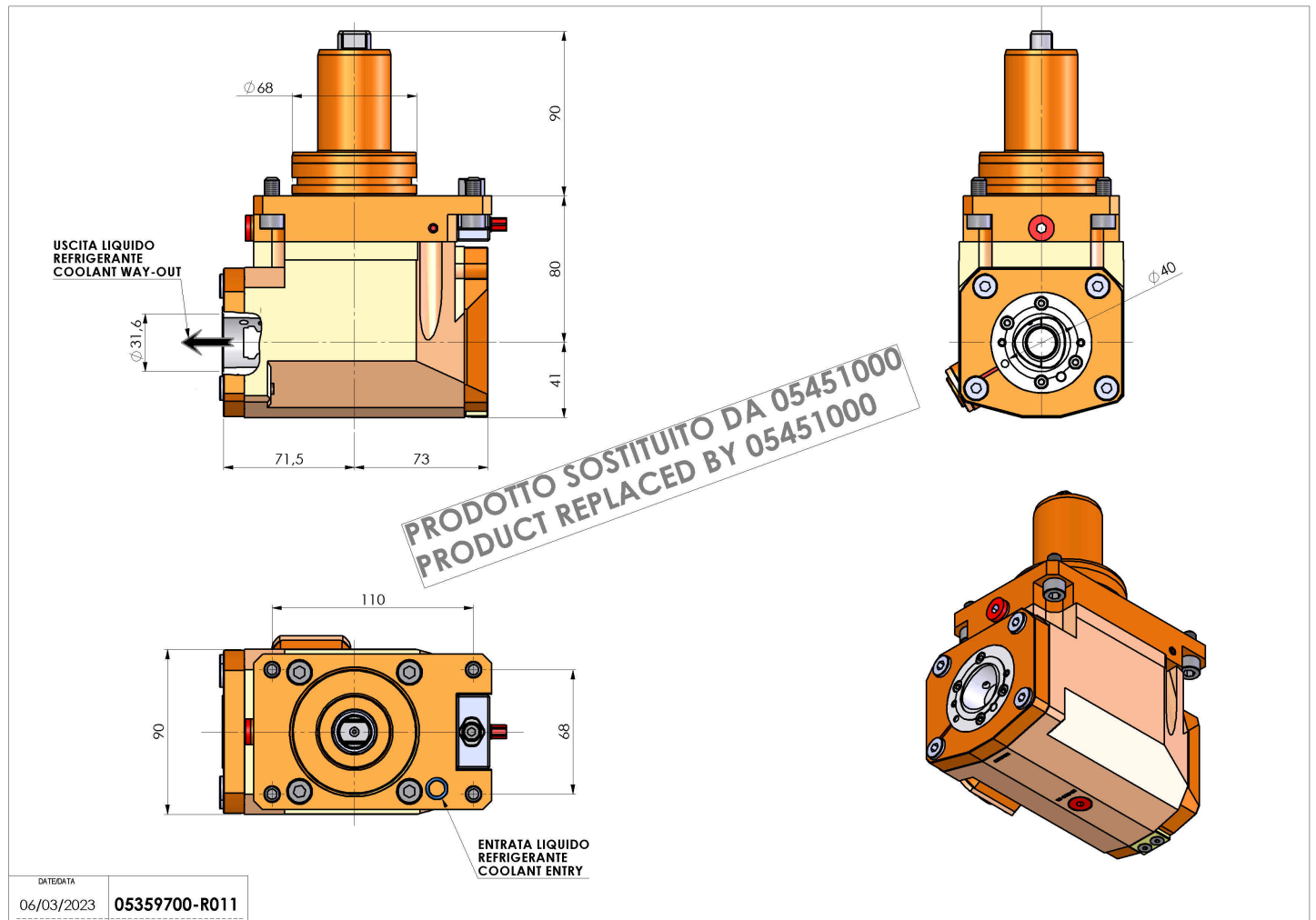
05359700 - LT-A D68 C40 HRF H80 MZ

Type	LT-A Tool holder angle 90°
Mounting	CYLINDRICAL SHANK 68
Tool output	Polygonal shank C40 ISO 26623-1
Coolant	HRF Internal coolant
Direction of rotation	r1 r2
Max speed [rpm]	6000
Max torque [Nm]	63
Ratio	1:1
H [mm]	80
H1 [mm]	41
Max pressure [bar]	80
Accessories	N.A.
Notes	N.A.
Mounting tips	Main spindle only



REPLACED BY 05451000

Always check live tool dimensions on the turret



DATE/DATE	06/03/2023
	05359700-R011

Subject to technical changes