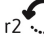
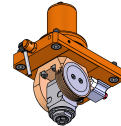
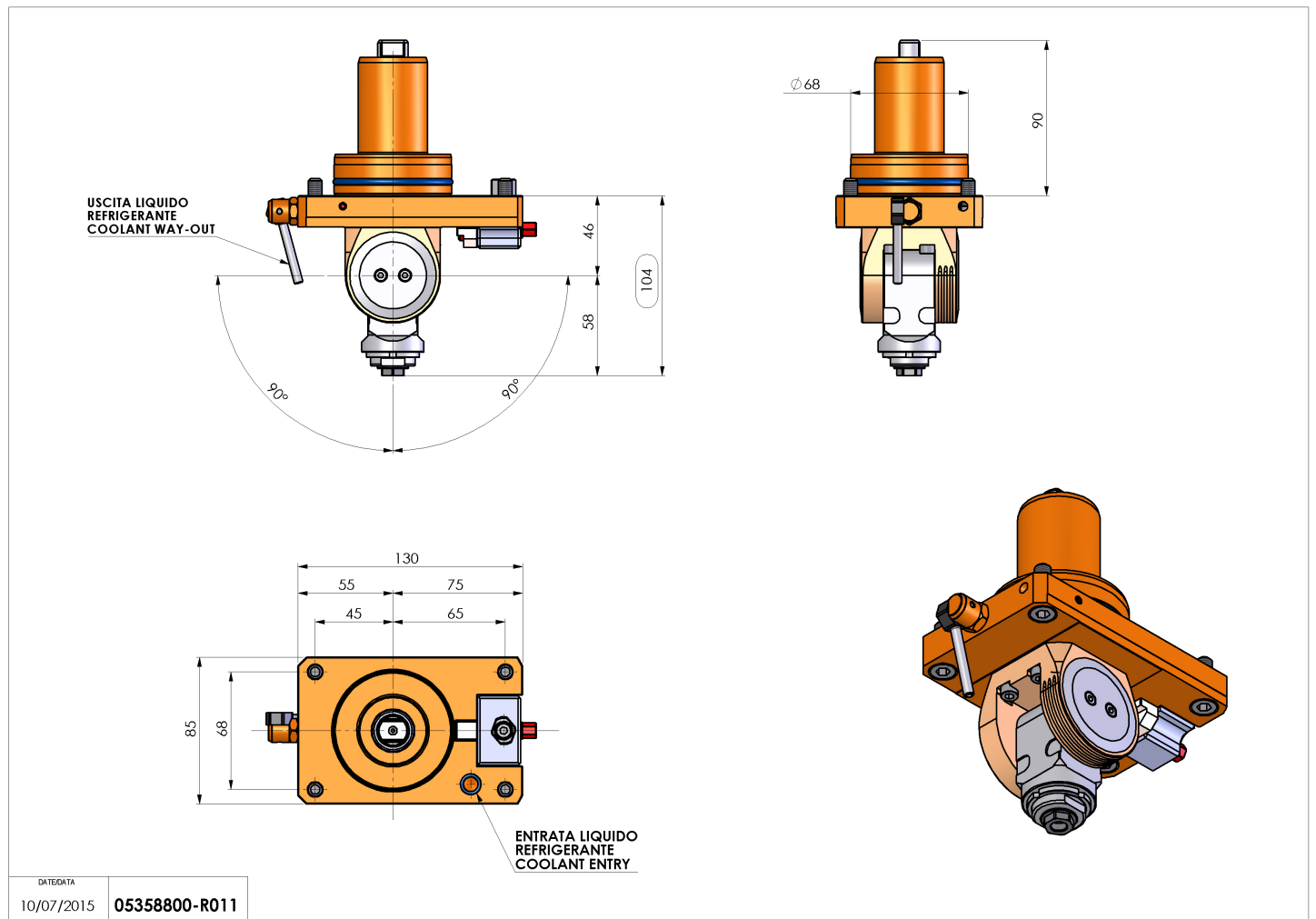


05358800 - LT-T D68 ER11F H46-104 MZ

Type	LT-T Tool holder tiltable
Mounting	CYLINDRICAL SHANK 68
Tool output	Collet nut ER 11 F
Coolant	External coolant
Direction of rotation	r1  r2 
Max speed [rpm]	6000
Max torque [Nm]	5
Ratio	1:1
H [mm]	46-104
Accessories	N.A.
Notes	N.A.
Mounting tips	N.A.



Always check live tool dimensions on the turret



DATE/DATA
10/07/2015 05358800-R011

Subject to technical changes