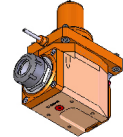
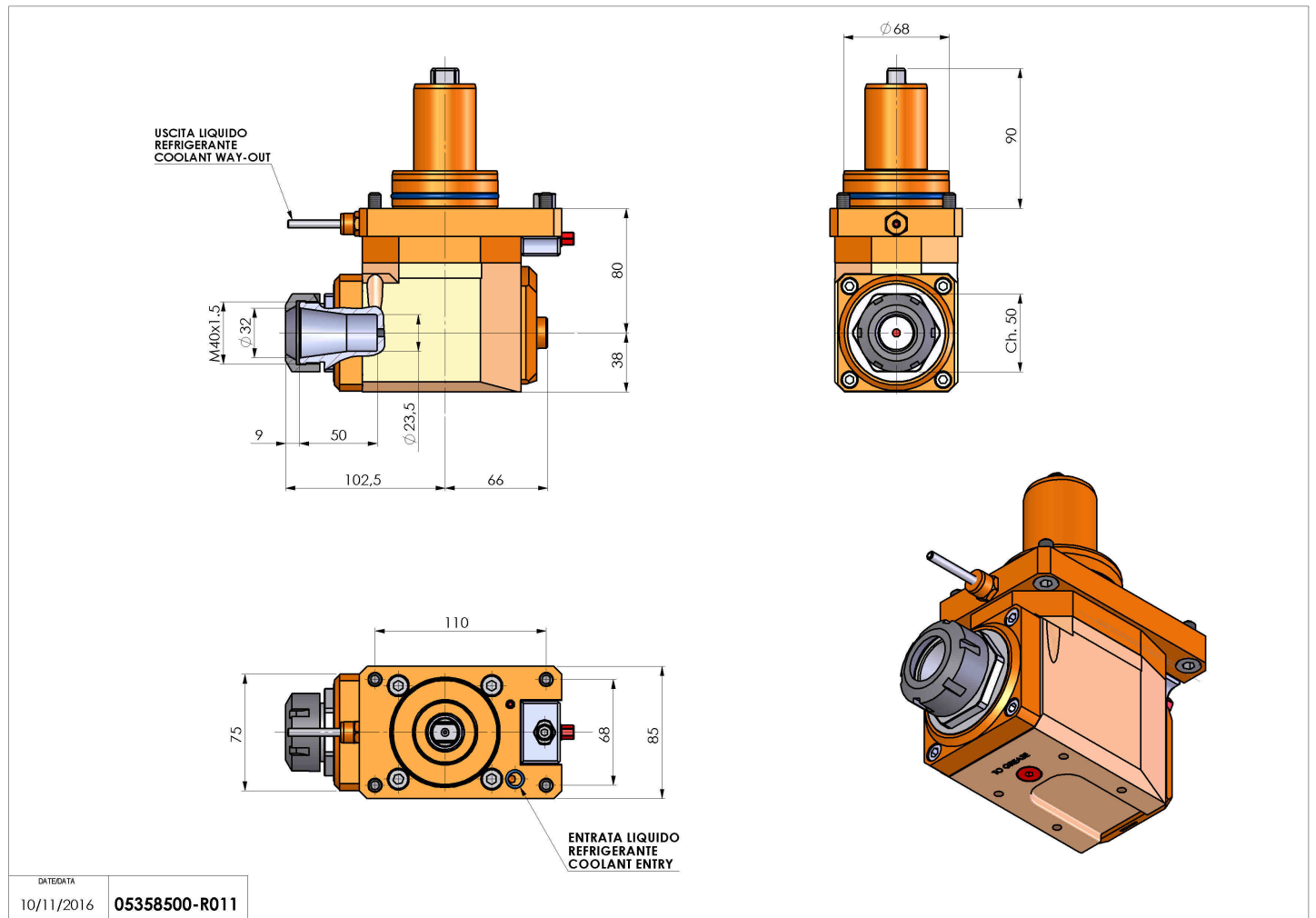


05358500 - LT-A D68 ER32 H80

| | |
|-----------------------|-------------------------------|
| Type | LT-A Tool holder angle 90° |
| Mounting | CYLINDRICAL SHANK 68 |
| Tool output | Collet nut ER 32 |
| Coolant | External coolant |
| Direction of rotation | r1 ↻ r2 ↻ |
| Max speed [rpm] | 6000 |
| Max torque [Nm] | 63 |
| Ratio | 1:1 |
| H [mm] | 80 |
| H1 [mm] | 38 |
| Accessories | N.A. |
| Notes | N.A. |
| Mounting tips | Main spindle only |



Always check live tool dimensions on the turret



Subject to technical changes