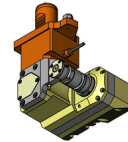


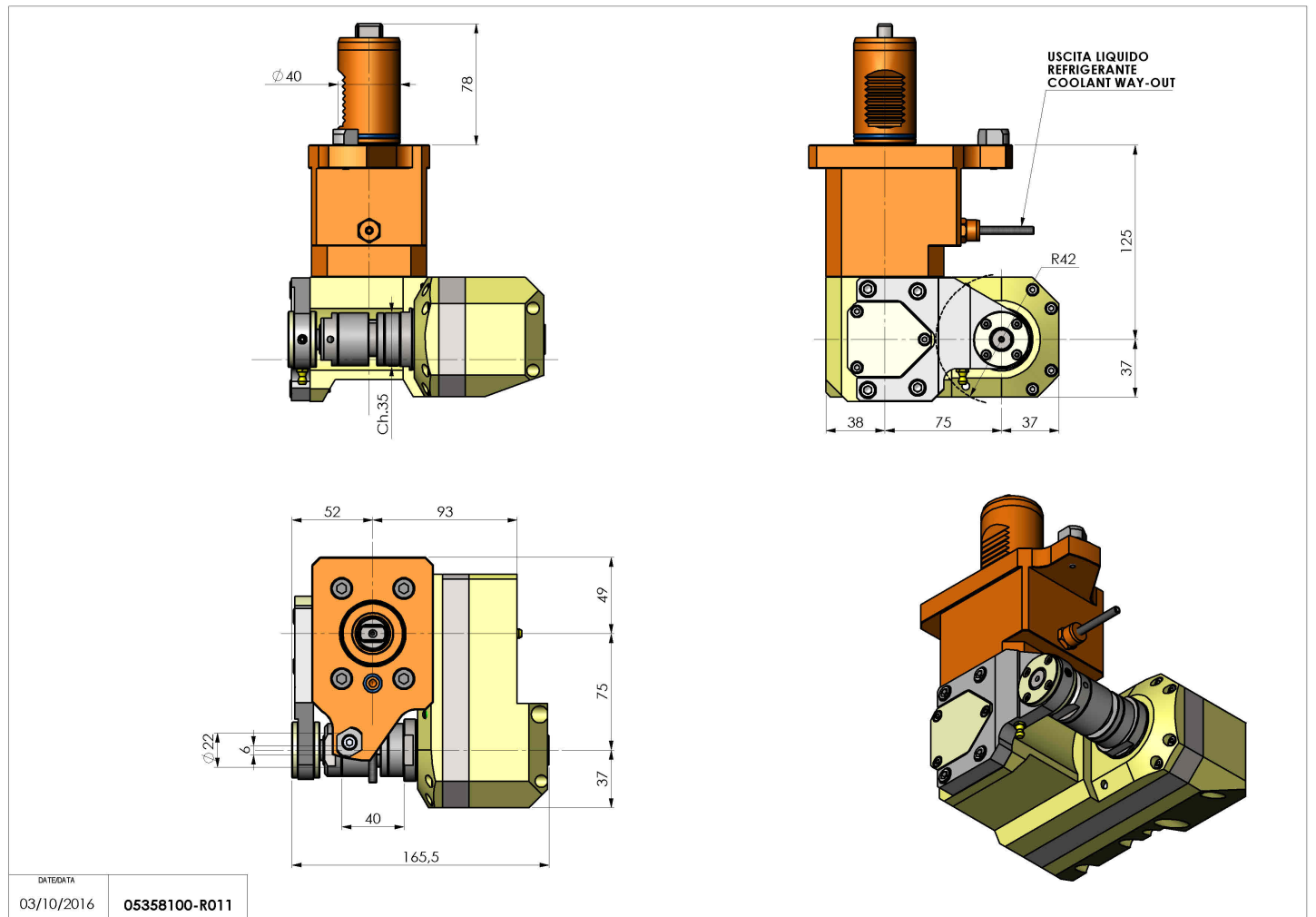
05358100 - LT-SAW VDI40 2,5:1 H125

Type	LT-SAW Tool holder saw
Mounting	VDI 40
Tool output	Shank kit Ø16-Ø22-Ø27
Coolant	External coolant
Max speed [rpm]	6000
Max torque [Nm]	60
Ratio	2,5:1
H [mm]	125
Accessories	N.A.
Notes	N.A.
Mounting tips	N.A.



ATTENTION: CHECK THE ORIENTATION OF THE VDI TEETH

Always check live tool dimensions on the turret



Subject to technical changes