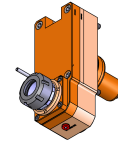
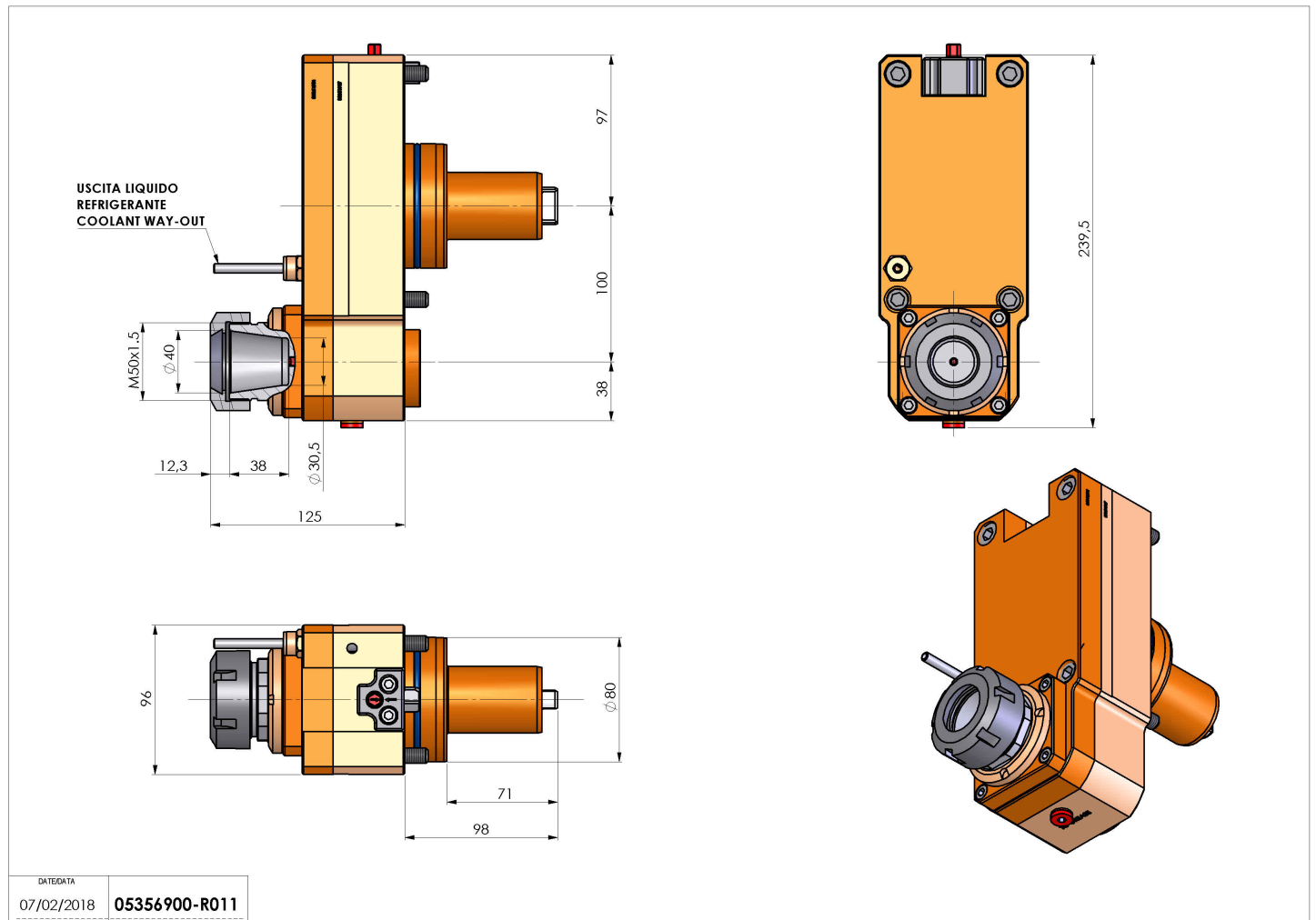


05356900 - LT-S D80 ER40 OFS100 H125

Type	LT-S OFS Tool holder straight offset
Mounting	CYLINDRICAL SHANK 80
Tool output	Collet nut ER 40
Coolant	External coolant
Offset [mm]	100
Direction of rotation	r1 ↻ r2 ↻
Max speed [rpm]	6000
Max torque [Nm]	80
Ratio	1:1
H [mm]	125
Accessories	N.A.
Notes	N.A.
Mounting tips	N.A.



Always check live tool dimensions on the turret



DATE/DATE	07/02/2018
	05356900-R011

Subject to technical changes