

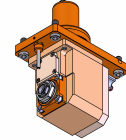
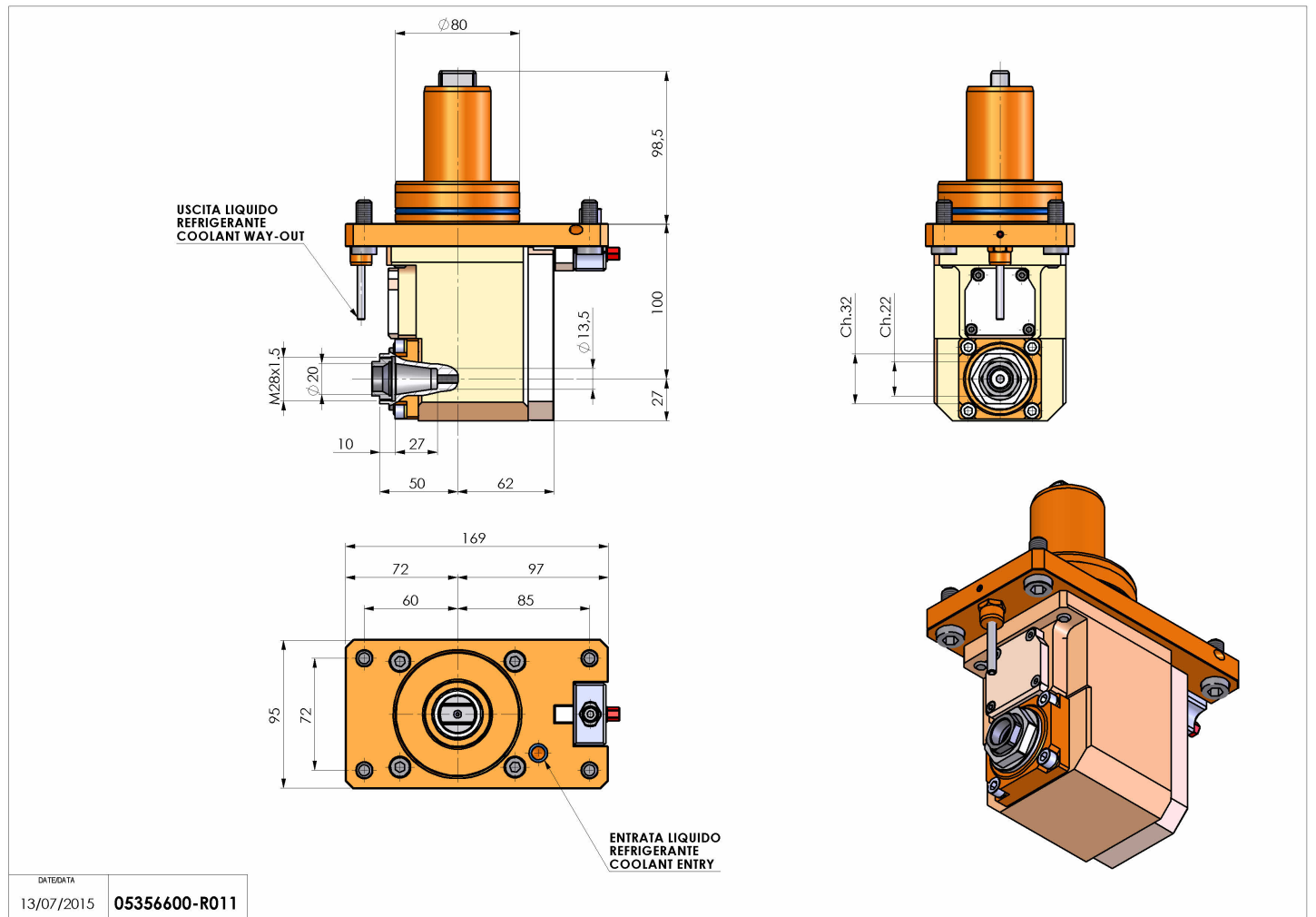


## 05356600 - LT-A D80 ER20F H100 1:2 MZ

|                              |   |
|------------------------------|---|
| <b>Type</b>                  | LT-A<br>Tool holder angle 90°   |
| <b>Mounting</b>              | CYLINDRICAL SHANK 80  |
| <b>Tool output</b>           | Collet nut ER 20 F - internal nut   |
| <b>Coolant</b>               | External coolant  |
| <b>Direction of rotation</b> | r1  r2  |
| <b>Max speed [rpm]</b>       | in 6000 / out 12000   |
| <b>Max torque [Nm]</b>       | in 50 / out 25  |
| <b>Ratio</b>                 | 1:2   |
| <b>H [mm]</b>                | 100   |
| <b>H1 [mm]</b>               | 27  |
| <b>Accessories</b>           | N.A.  |
| <b>Notes</b>                 | N.A.  |
| <b>Mounting tips</b>         | N.A.  |



Always check live tool dimensions on the turret



|            |               |
|------------|---------------|
| DATE/DATE  | 05356600-R011 |
| 13/07/2015 |               |

Subject to technical changes