
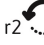
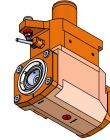


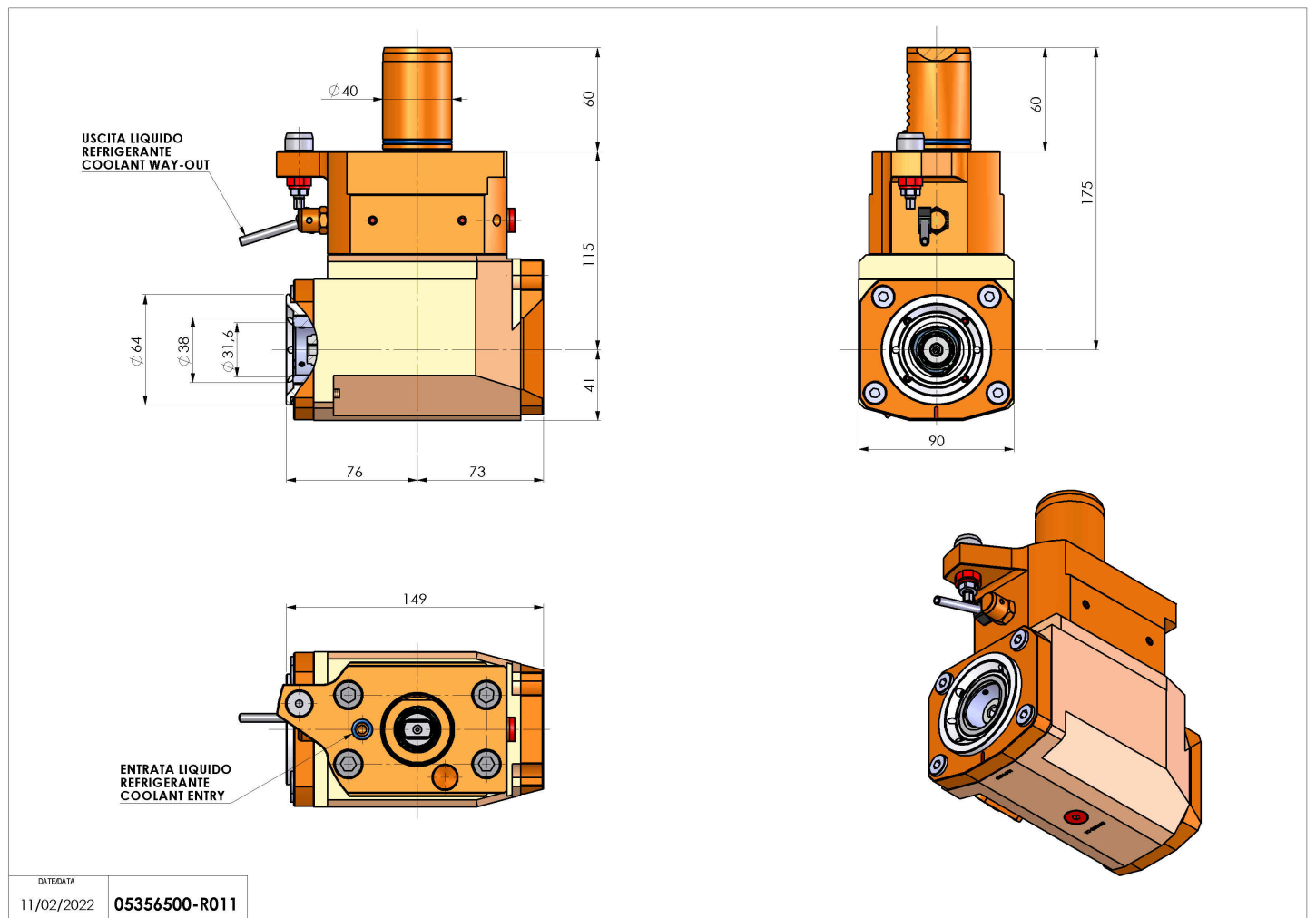
05356500 - LT-A VDI40 C40 HS H115

| | |
|-----------------------|---|
| Type | LT-A Tool holder angle 90° |
| Mounting | VDI 40 |
| Tool output | Polygonal shank C40 ISO 26623-1 |
| Coolant | External coolant |
| Direction of rotation | r1  r2  |
| Max speed [rpm] | 10000 |
| Max torque [Nm] | 63 |
| Ratio | 1:1 |
| H [mm] | 115 |
| H1 [mm] | 41 |
| Accessories | N.A. |
| Notes | N.A. |
| Mounting tips | N.A. |



ATTENTION: CHECK THE ORIENTATION OF THE VDI TEETH

Always check live tool dimensions on the turret



Subject to technical changes