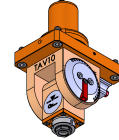
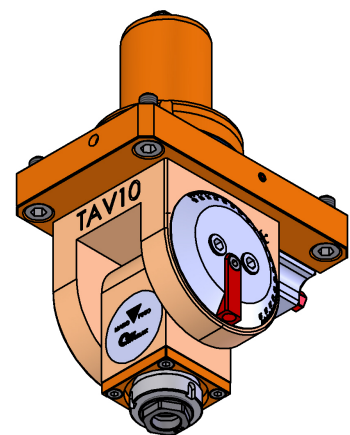
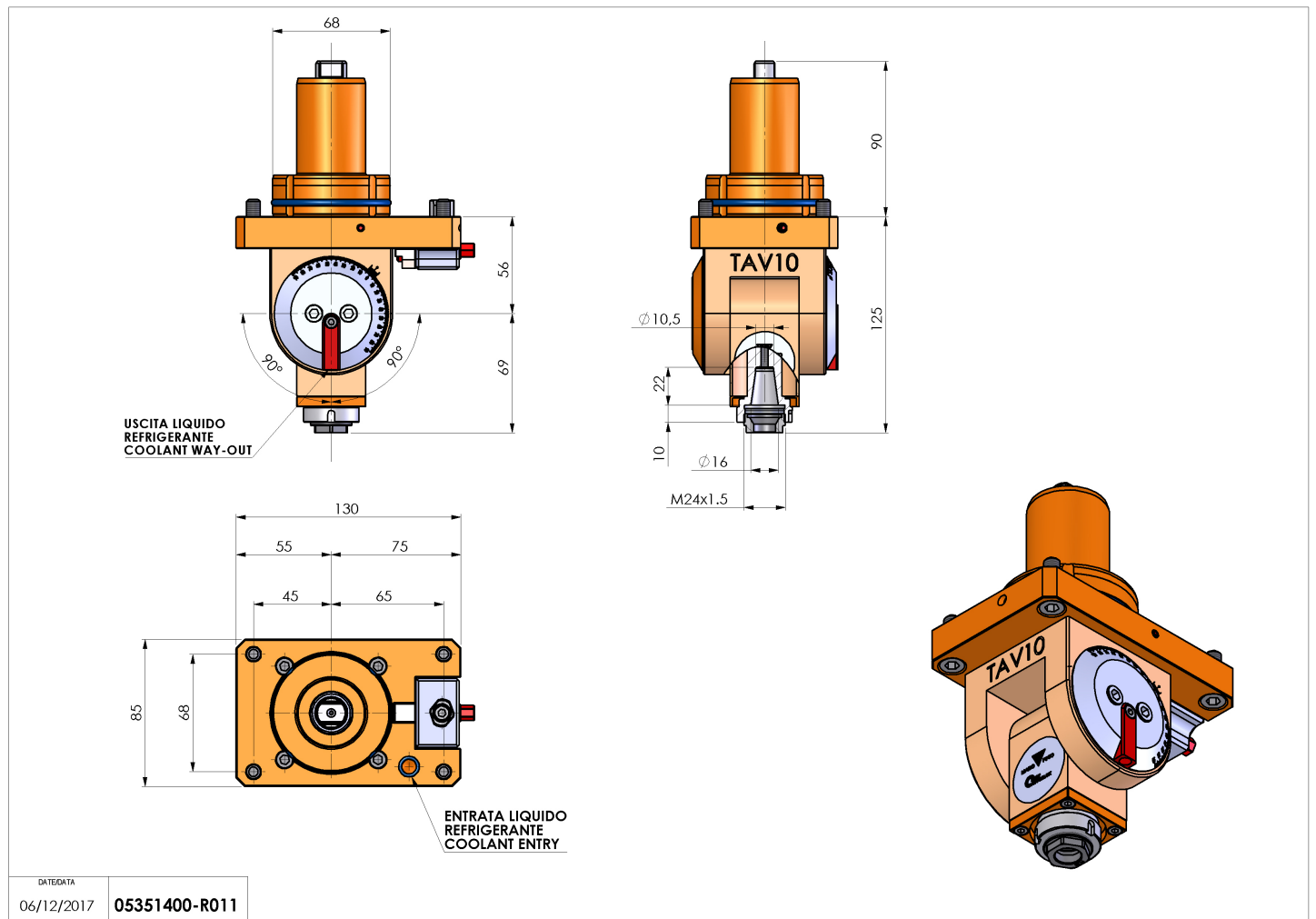


05351400 - LT-T D68 ER16F H56-125 MZ

Type	LT-T Tool holder tiltable
Mounting	CYLINDRICAL SHANK 68
Tool output	Collet nut ER 16 F - internal nut
Coolant	External coolant
Direction of rotation	r1 ↻ r2 ↻
Max speed [rpm]	6000
Max torque [Nm]	10
Ratio	1:1
H [mm]	56-125
Accessories	N.A.
Notes	N.A.
Mounting tips	N.A.



Always check live tool dimensions on the turret



Subject to technical changes

DATE/DATE
06/12/2017 05351400-R011