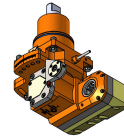
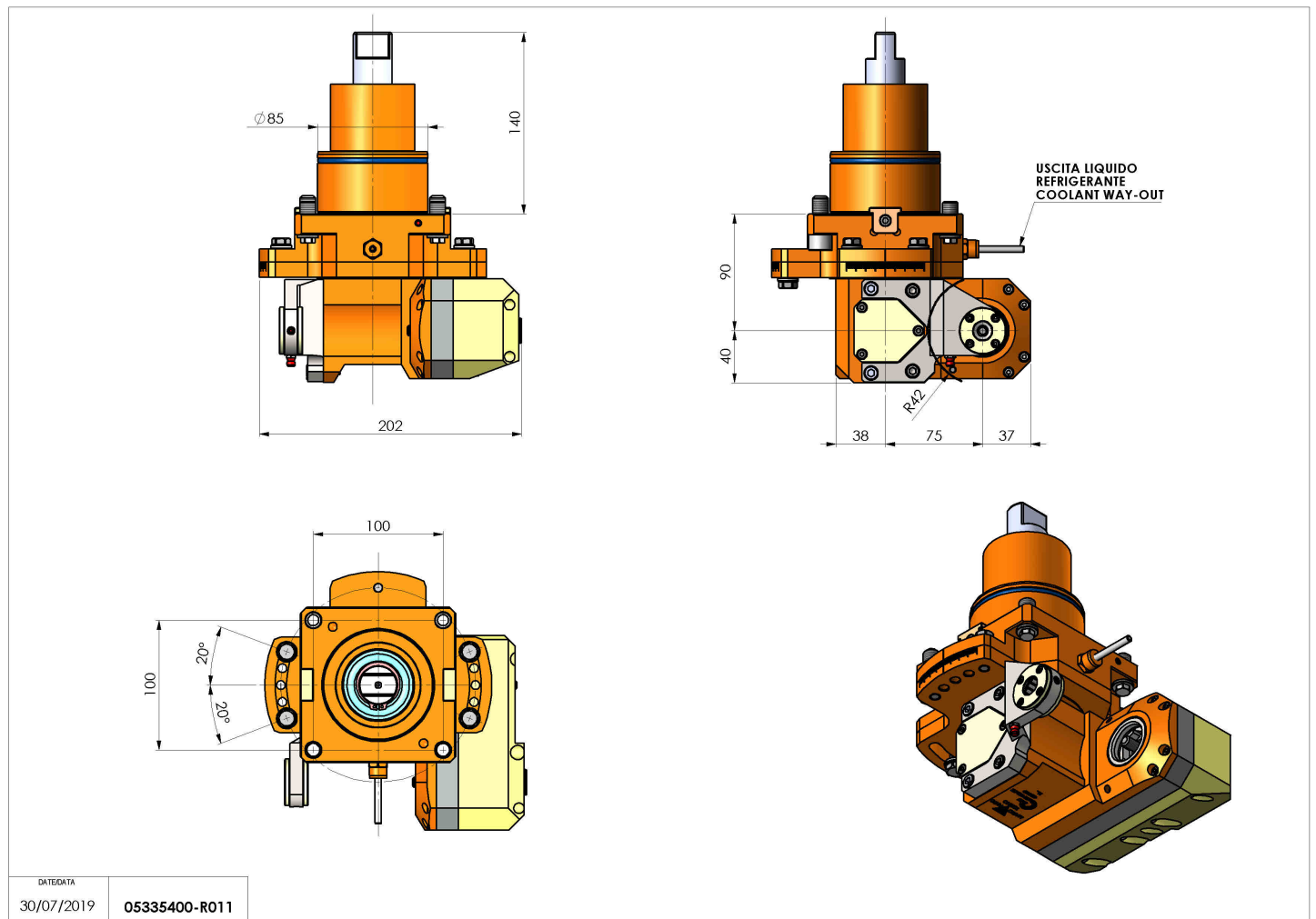


## 05335400 - LT-HOB-SAW BMT85 L60 1:1 H90

Type	LT-HOB-SAW Hobbing/tool holder saw
Mounting	BMT 85
Tool output	Shank kit Ø16-Ø22-Ø27
Coolant	External coolant
Max speed [rpm]	6000
Max torque [Nm]	60
Ratio	1:1
H [mm]	90
Accessories	N.A.
Notes	N.A.
Mounting tips	N.A.



Always check live tool dimensions on the turret



DATE/DATE	
30/07/2019	05335400-R011

Subject to technical changes